

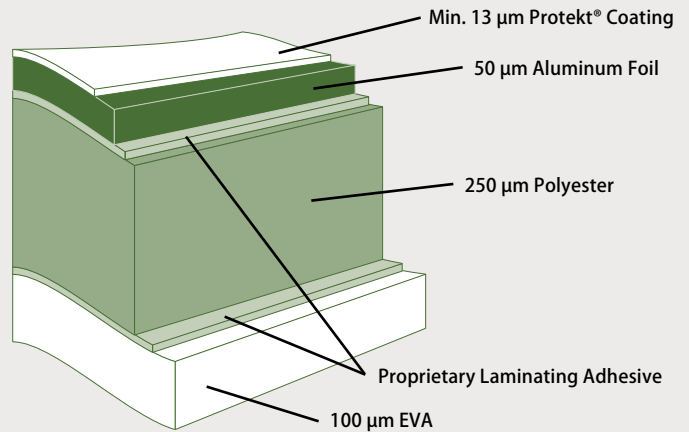
Protekt® TFB HD Datasheet

Madico's Classic Fluoro-Coating Backsheet Design

MATERIAL COMPOSITION

TEST:	RESULTS:
Thickness	431 ± 43 µm
Width Range	51 - 1700 mm
Weight	610 g/m ²
Density	1.41 g/cm ³
Protekt® Colors	White, Charcoal
EVA Colors	Bright White, Black, Clear, Custom Colors

PROTEKT® COATING / AL / PET / EVA



TECHNICAL CHARACTERISTICS

TEST:	TEST SPECIFICATION(S):	RESULTS:
Tensile Strength at Break (MD/TD)	Internal Testing – Data Available	88 MPa (MD) / 86 MPa (TD)
Elongation at Break (MD/TD)	Internal Testing – Data Available	130% (MD) / 142% (TD)
Tear Strength (MD/TD)	Internal Testing – Data Available	15 N (MD) / 13 N (TD)
Dimensional Stability	150°C for 30 min; Internal Testing – Data Available	≤ 0.5%
EVA Peel Strength from Encapsulant	Internal Testing – Data Available	≥ 40 N/cm
Peel Strength of Layers	PET / EVA	≥ 5 N/cm

FLAME RESISTANCE TESTING PERFORMANCE

TEST:	TEST SPECIFICATION(S):	RESULTS:
Flame Spread Index	In accordance with ASTM E162	0

WEATHERABILITY TESTING PERFORMANCE

TEST:	TEST SPECIFICATION(S):	RESULTS:
Relative Thermal Index (RTI)	Suitable for use at continuous 85°C	105°C
Damp Heat Testing	85°C, 85% RH IEC 61215	>2000 hours
Heat Freeze Humidity	In accordance with UL 1703, >10 cycles	>70% of initial mechanical properties retained
UV Stability	In accordance with UL 746C	>70% of initial mechanical properties retained
MVTR	In accordance with ASTM F1249	≤ 0.005 g/m ² per day

ELECTRICAL INSULATION TESTING PERFORMANCE

TEST:	TEST SPECIFICATION(S):	RESULTS:
Partial Discharge	IEC 60664-1	> 1000 VDC

This product is covered by one or more U.S. patents and pending U.S. and other patent applications. Please see www.madico.com/patents Typical Data – Not Specification



© 2016 Madico, Inc.V0808 3/16

Madico PhotoVoltaic Backsheets
64 Industrial Parkway
Woburn MA, 01801
USA

Phone: 1-800-633-0140
Fax: 1-781-935-6841
Email: InfoSF@madico.com
www.madicopv.com

MADICO
PV BACKSHEETS