



**ENERGY**  
PHOTOVOLTAIC  
**艾能聚光伏**  
www.energy-zj.com

为您专业创造  
**太阳能晶体硅电池**



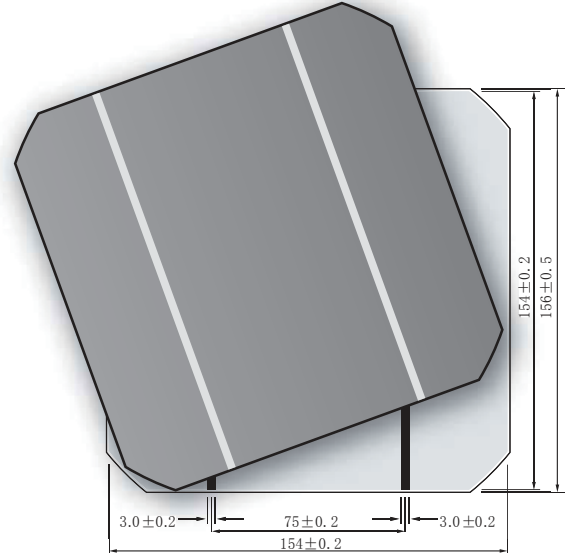
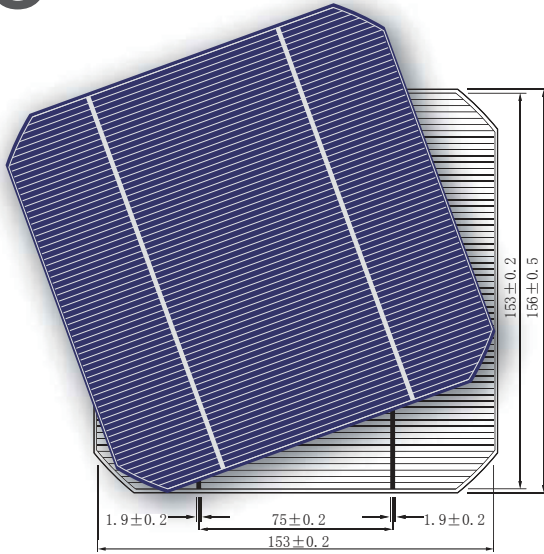
www.energy-zj.com

# 156S

**Mono 6" (R200)**

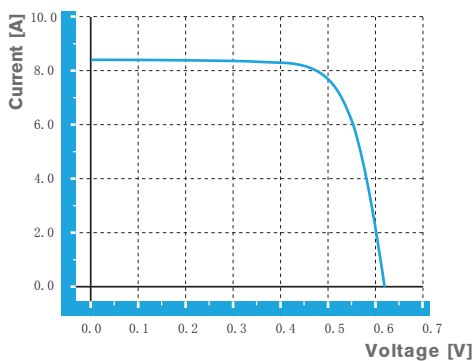
156S0R2 (2 bus-bars)

Monocrystalline silicon solar cells



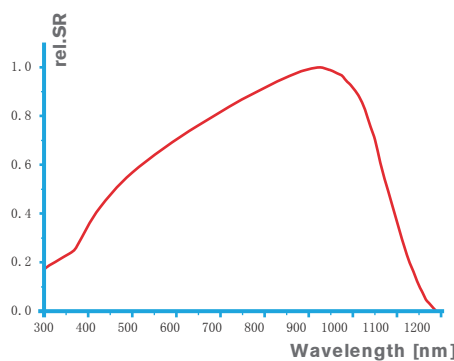
MECHANICAL DATA AND DESIGN		Efficiency(%)	Pmpp(W)	Ump(V)	Imp(A)	Uoc(V)	Isc(A)	FF(%)
Format	156mm×156mm±0.5mm	17.75-18.00	4.27	0.527	8.102	0.628	8.615	78.90
Thickness	190 μm ± 20 μm	17.50-17.75	4.21	0.521	8.083	0.627	8.584	78.23
Front (-)	1.9mm bus bars(silver), blue anti-reflecting coating(silicon nitride)	17.25-17.50	4.15	0.517	8.028	0.626	8.550	77.57
		17.00-17.25	4.09	0.513	7.982	0.624	8.495	77.23
Back (+)	3mm wide soldering pads(silver) back surface field(aluminium)	16.75-17.00	4.03	0.512	7.873	0.622	8.408	77.15
		16.50-16.75	3.97	0.505	7.871	0.621	8.390	76.14
<b>TEMPERATURE COEFFICIENTS</b>		16.25-16.50	3.91	0.502	7.796	0.620	8.372	75.45
TkVoltage	-0.346%/K	16.00-16.25	3.85	0.499	7.714	0.620	8.350	75.09
TkCurrent	+0.036%/K	15.75-16.00	3.79	0.498	7.601	0.620	8.125	75.34
TkPower	-0.47%/K	15.50-15.75	3.73	0.498	7.480	0.619	8.005	75.34

### IV CURVE



\*calibrated against fraunhofer ISE freiburg

### SPECTRAL RESPONSE



### INTENSITY DEPENDENCE

Intensity[W/m <sup>2</sup> ]	Isc*[mA]	Voc*[mV]
1000	1.0	1.000
900	0.9	0.995
500	0.5	0.966
300	0.3	0.940
200	0.2	0.919

\*Ratio of Voc(Isc) at reduced intensity to Voc(Isc) at 1000 W/m<sup>2</sup>

**浙江艾能聚光伏科技股份有限公司**  
ZHEJIANG ENERGY PHOTOVOLTAIC TECHNOLOGY CO., LTD

地址: 中国 浙江海盐澉浦六里集镇翠屏路北侧  
电话: +86-573-86567888

传真: +86-573-86567886  
邮编: 314301