

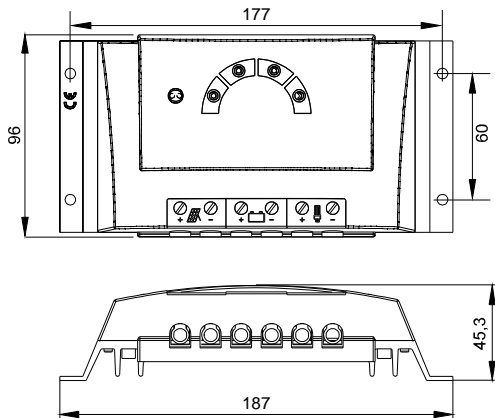
PRS1010/1515/2020/3030

solar charge regulators



- ✓ protected against deep discharge, overcharge, reverse polarity, short circuit and open circuit
- ✓ serial regulator
- ✓ for gel and liquid electrolyte
- ✓ automatic 12V/24V setting
- ✓ LED display for state of charge and status
- ✓ three charge modes: float, boost, equal
- ✓ temperature compensation
- ✓ positive grounding

The new serial regulators from Steca: PRS1010..PRS3030



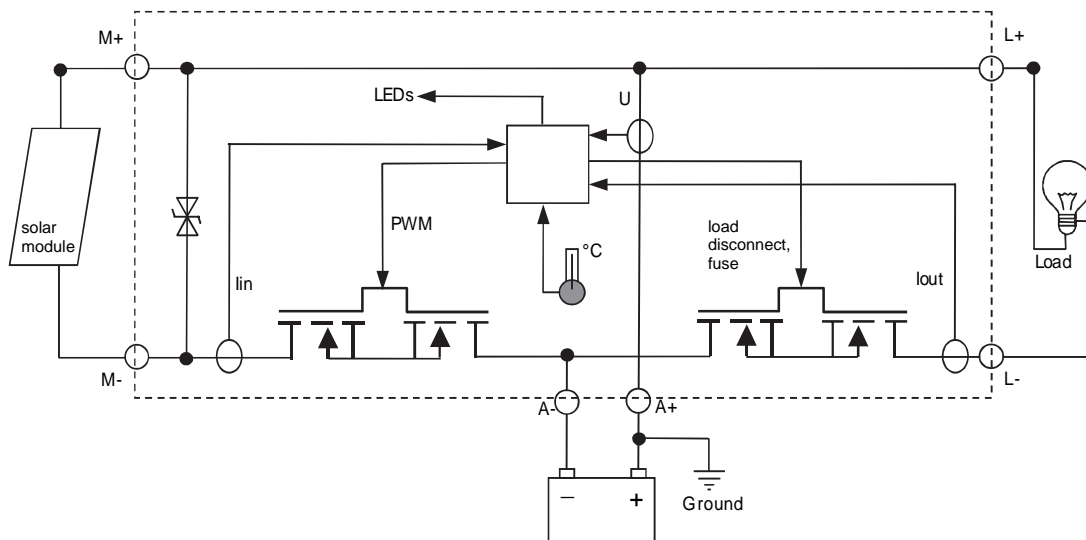
The new solar chargers PRS1010..PPRS3030 will replace the very successful Solarix Alpha..Omega regulator serie.

Enhanced functionality and a modernised design will bring you a state of the art charge regulator at a very reasonable price.

The new 4 LED level gauge display shows you the state of charge and an extra LED informs you about the system status. The electronic fuse protects your PV-system from overcharging, deep discharge and most user errors. The PRS regulators work with the serial principle.

All lead batteries with liquid and fixed electrolyte will be charged to 100%.

For special demands and big projects the PRS can be programmed at our factory for a night light function or other charging voltages.



technical data	PRS1010	PRS1515	PRS2020	PRS3030
max. charge current	10 A	15 A	20 A	30 A
max. load current	10 A	15 A	20 A	30 A
charging voltages:				
- float		13,9V		
- boost		14,4V		
- equalization		14,7V für 1 h		
load disconnect		11,1V (SOC < 30%)		
load reconnect		12,5V (SOC > 50%)		
self consumption		4 mA		
ambient temperature		- 25 ° .. + 50 ° C		
terminals		16/25 mm ²		
dimensions		187x96x45 mm; 350g		
protection		IP 34		
system voltages (recognition values)		12V (9V-17V)		24V(17,1V-34V)