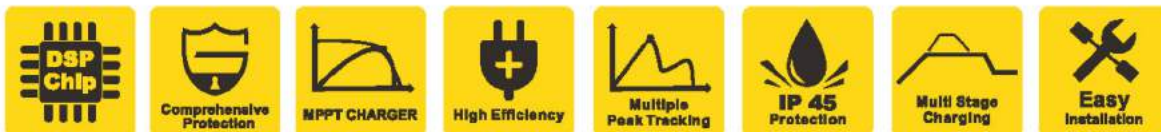


## MPPT Solar Charge Controller SCH Series 20A/30A 12V/24V



### Feature:

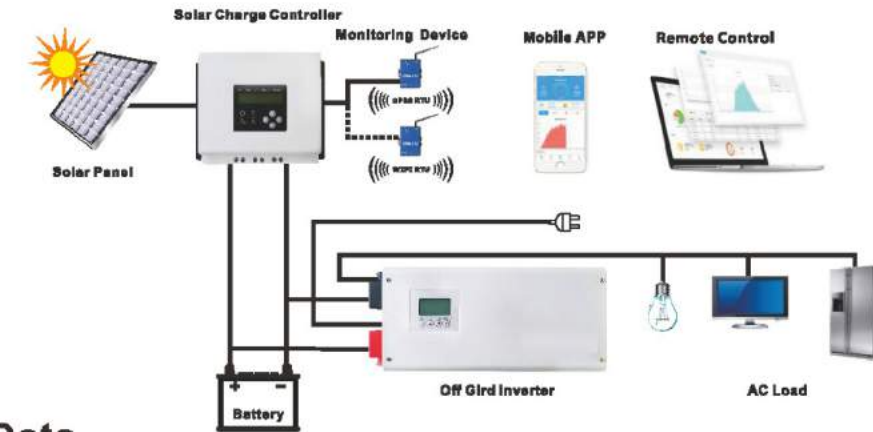
- 12V/24V Auto work, parallel design
- Multi-stage charging optimizes battery performance
- MPPT efficiency >99.5%, Peak conversion efficiency 97.5%
- Wide range Solar PV voltage input 18V~100Vdc
- Compatible with Gel, AGM, Flooded, Sealed lead acid and Lithium battery
- Multi-function LCD+LED display, system information intuitively
- Comprehensive protection
- Excellent heatsink cooling design, quiet operation
- Comfortable installation and commissioning



### Application:



## Application Diagram



## Technical Data

Model	SCH-20A-L	SCH-30A-L	SCH-20A-EL	SCH-30A-EL
Solar System Voltage	12V/24V Auto work			
<b>Electrical</b>				
PV Operating Voltage	18~100Vdc@12V 35~100Vdc@24V			
Max. PV Input Power	12V 300W	12V 400W	12V 300W	12V 400W
	24V 600W	24V 800W	24V 600W	24V 800W
Rated Output Current	20A	30A	20A	30A
Rated DC Load Current	30A			
Self Consumption	<2W			
Max.Conversion Efficiency	97.5%			
Protection	PV array short circuit, over charging,battery reverse polarity,output short circuit			
<b>Battery charging</b>				
Battery Type	Sealed Gel AGM Flooded Lithium Battery			
Charge Algorithm	3 stage: Bulk, Absorption, Float charging			
Bulk Charge Voltage	Sealed: 14.4V AGM 14.2V Gel:14.2V Flooded:14.6V User defined:10-15V			
Float Charge Voltage	Sealed/Gel/AGM:13.8V Flooded:13.7V User defined:10-15V			
Load Disconnect Voltage	10.5V ~12V Adjustable			
Load reconnect voltage	12.5V			
Temperature Compensation	5mV/°C/2V with BTS			
<b>Physical</b>				
Net Weight	1.9kg	1.4kg	1.6kg	
Gross Weight	2.2kg	1.8kg	1.9kg	
Dimension(mm)	210*180*80	210*180*80	210*180*80	
Cooling	Heatsink cooling			
Enclosure	IP 21			
<b>Environment</b>				
Ambient operating temperature	-25°C ~60°C			
Storage Temperature	-40°C ~80°C			
Humidity	5%-95% non-condensing			
Warranty	Two years			

※Technical data for 12V system at 25°C, twice in 24V system rate.