

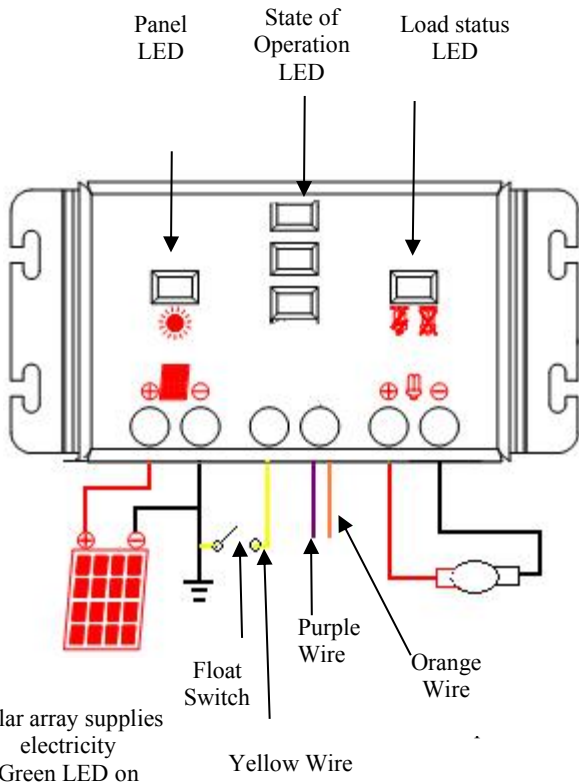
Thank you very much for choosing our product. This product manual provides important information and advice for product installation. Before using this product, please read carefully and thoroughly.

Our product has a number of safety and display functions.

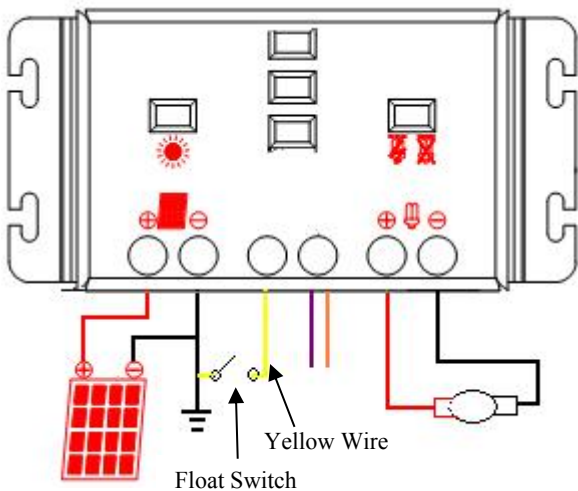
Clear readable LED display ,indicator for input and operation status
 The controller can be used in 12V and 24V systems with MPPT has integral voltage controller to limit the output voltage to max.of 13.0V or 26V
 Max .16 mm² connector , Max safety current can reach 91A.

Display Functions

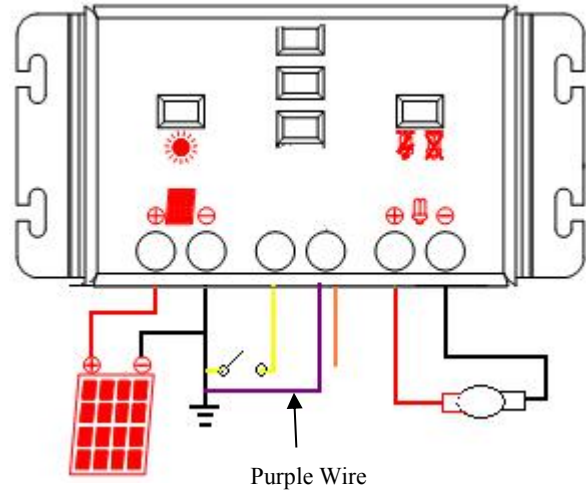
The controller is equipped with 3 LEDs



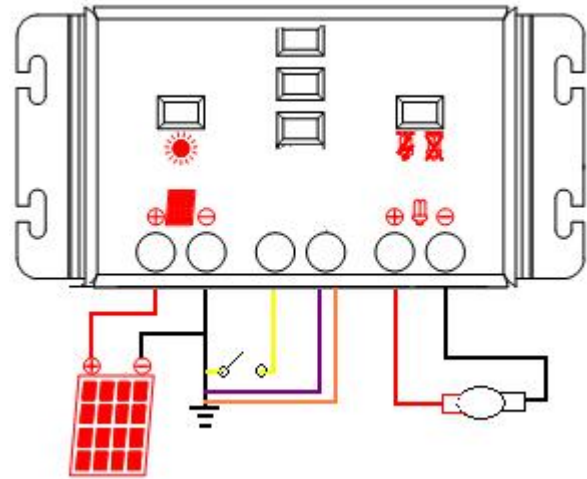
12V Panel /12V Pump, Do not connect Orange and Purple Wire to PV-



24V Panel /12V Pump just purple wire connected to PV-



24V Panel /24 V Pump orange and purple wire both connect to PV-



Always yellow wire connect to the float switch wire, The other float switch wire connect to the negative PV, the negative PV connected to be grounded.

LCB Technical Characteristics

Model	LCB 6A 8A 10A 12A
Rated system voltage	12V/ 24V
Max. load current	6A 8A 10A / 12A
Maximum output voltage	15 V(12V System) 30V(24V System)
Maximum output current	6A 8A 10A 12A
Efficiency	>95%
Max. Panel voltage	50V
Dimensions (WxHxD)	140mm*72mm *40mm
Installation dimensions	130mm*66mm
Max. wire size	Max 16mm ²
Ambient temperature	-40°C-+60°C
IP grade	IP22
Altitude	≤4000m
Net weight	310g

Subject to change without notice. Jay.mo@upnetech.com
 Version: 2018 07 13 www.upnetech.com