

Commit to
Green
Your World



The SPV Series

6 x 10 up to **250Wp**

+5

High Stability

Positive tolerance up to +5Wp



High Wind and Snow Load

Certified to Withstand High Wind
Load 2400Pa and Snow Load 5400Pa



CHUBB Insurance

Secured by CHUBB Errors and Omissions
(E&O) Insurance



Highly Automated Manufacturing

Highly automated manufacturing lines
from Germany and Japan
More Reliable. Higher Performance



IECS-6P6A-XXX-A Module

Electrical Characteristics(STC)

STC (Standard Test Conditions): 1,000 W/m², (25 ± 2)°C, AM 1.5 in accordance with EN 60904-3

	P _{max}	250W	245W	240W	235W	230W
Capacity rating						
Module efficiency	%	15.3	15.0	14.7	14.4	14.1
Maximum power voltage	V _{mp} (V)	31.28	30.91	30.54	30.18	29.81
Maximum power current	I _{mp} (A)	8.01	7.93	7.87	7.79	7.72
Open circuit voltage	V _{oc} (V)	37.66	37.46	37.26	37.06	36.86
Short circuit current	I _{sc} (A)	8.66	8.57	8.48	8.39	8.30
Maximum system voltage		1000 V DC (IEC) / 600 V DC (UL)				

Electrical Characteristics(NOCT)

NOCT (Normal Operating Cell Temperature): 800 W/m², NOCT, AM 1.5

	P _{max}	184W	180W	176W	173W	169W
Capacity rating						
Maximum power voltage	V _{mp} (V)	28.75	28.41	28.07	27.74	27.40
Maximum power current	I _{mp} (A)	6.39	6.33	6.28	6.22	6.16
Open circuit voltage	V _{oc} (V)	34.75	34.56	34.38	34.19	34.01
Short circuit current	I _{sc} (A)	7.00	6.93	6.86	6.78	6.71

Temperature coefficients

Temperature coeff. of V _{oc}	-0.32% / °C
Temperature coeff. of I _{sc}	0.05% / °C
Temperature coeff. of P _{max}	-0.43% / °C

Working Conditions

Temperature range	-40 °C to +85°C
NOCT	46°C ± 2°C
Maximum series fuse	15A
Maximum surface load capacity	Tested up to 5,400 Pa according to IEC 61215 (Advanced Test)
Resistance against hail	Maximum diameter of 28 mm with impact speed of 86 km/h
Wind resistance	Positive & Negative Wind Pressure of 3600 Pa, equivalent to 276km/h
Grounding conductivity	<0.01Ω
Application class	Class A according to IEC 61730
Insulation resistance	>100MΩ

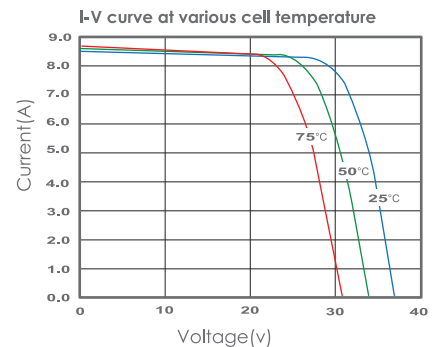
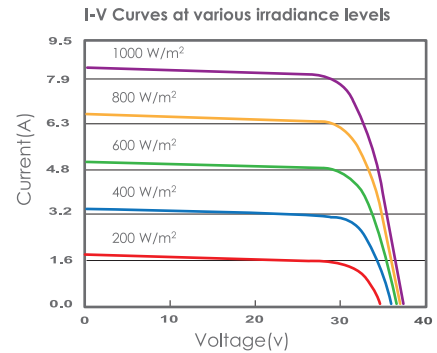
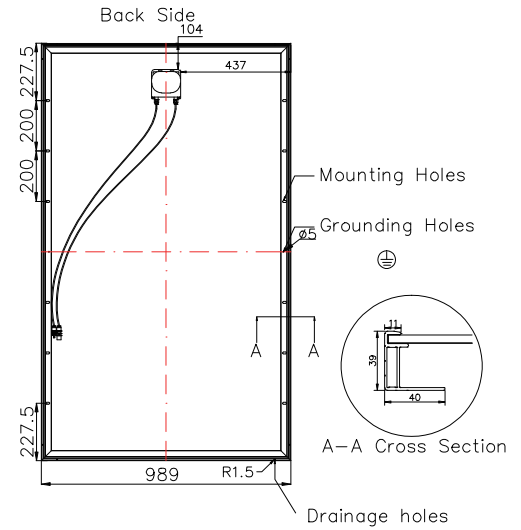
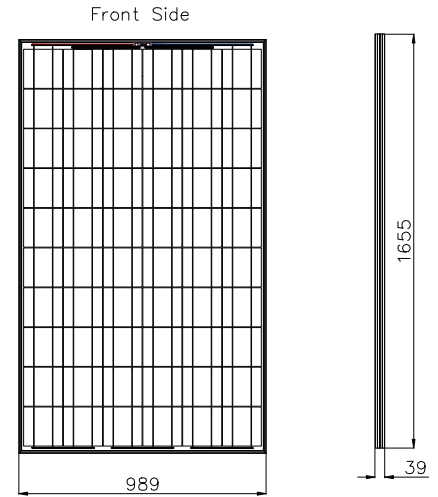
Mechanical Characteristics

Dimensions (L x W x D, mm)	1655 x 989 x 39
Weight	19.6 kg
Junction box	1 junction box with 3 bypass diodes
Cable	Tyco Solarlok cable, length 1,000 mm
Front glass	3.2mm, high transparent, low iron, tempered glass
Solar cells	60 (6x10) cells, polycrystalline (156 x156 mm)
Cell encapsulation	EVA (Ethylene Vinyl Acetate)
Back side	Composite film
Frame	Anodized aluminum frame with double-wall profile and drainage holes
Connect type	Tyco Solarlok

More Options

156x156 mm Poly crystalline cells

	IECS-6P6C	IECS-6P69
Max power P _{max}	300W	225W
Module efficiency	15.4%	15.2%
Number of cells	72	54
Maximum System Voltage (V)	1000	1000
Maximum Power Voltage V _{mp} (V)	37.51	28.15
Maximum Power Current I _{mp} (A)	8.01	8.03
Open Circuit Voltage V _{oc} (V)	45.19	33.89
Short Circuit Current I _{sc} (A)	8.66	8.66
L×W×D (mm)	1973×989×39	1496×989×39
Weight	29.2Kg(64.24lb)	17.8kg(39.2lb)



* Up To **10** Year Zero Defect Limited Liability | **10** Year 90% Power Output | **25** Year 80% Power Output

*Depends on actual business terms.



*All rights reserved. Specifications included in this datasheet are subject to change without notice.