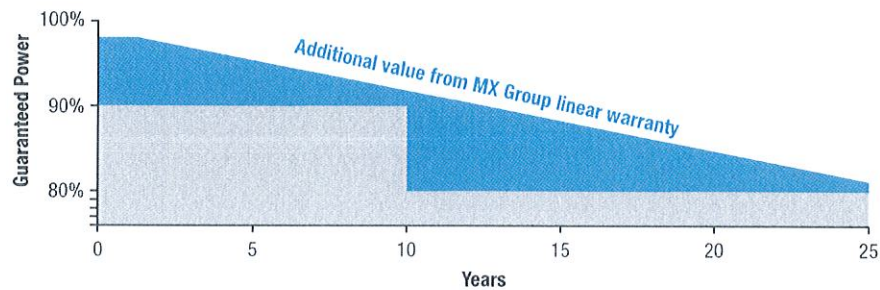
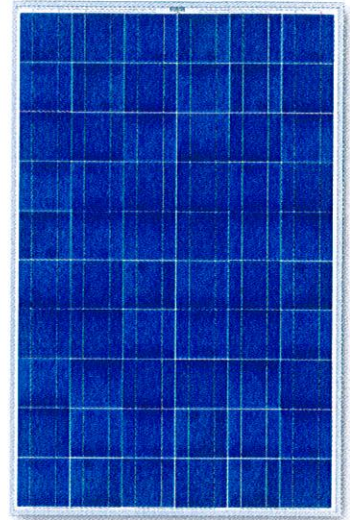


# photovoltaic module SUNCASE MX60



- **Cells:** Suncase MX60 module is composed of 60 high-efficiency multicrystalline PV cells, each measuring 156 mm x 156 mm, and connected in series.
- **Glass:** 4 mm thick with a low ferrous oxide content and specially treated surface that reduces reflectivity and optimizes light transmission to the PV cells as well as assuring protection from the elements.
- **Frame:** made from an anodized aluminum profile that provides easy mounting of the module on racking systems and a high-level of resistance against torsion and static load.
- **Junction box:** the junction box has an IP65 protection level and it is completed with bypass diodes that provides the best guarantee from hot-spot damages. Cables and polarized connectors have an IP67 protection level.



## Certifications

Suncase MX 60 photovoltaic module is manufactured in compliance with the following international standards:

- IEC 61215:2005 - Ed. 2
- EN 61730 -1/ EN 61730-2:2007
- UL 1703-2002 Ed. 3
- Saline mist, as per IEC 61701:2005
- Ammonia N° 11-PPA-0002210/05-TIC

MX Group is ISO 9001:2008, ISO 14001:2004 and OHSAS 18001:2007 certified.



MADE IN EUROPE

# photovoltaic module **SUNCASE MX60**

## Mechanical specifications

|                          |  |
|--------------------------|--|
| Photovoltaic solar cells | Multicrystalline Silicon                                     |
| Cell dimensions          | 156 mm x 156 mm (6.14"x6.14")                                |
| Cell quantity            | 60   |
| Layout                   | 6 x 10   |
| Front glass              | High-transmittance   |
| Glass thickness          | 4 mm (0.46")   |
| Cell encapsulation       | EVA (Ethylene Vinyl Acetate)                                 |
| Back protection          | PET multilayer   |
| Frame                    | Extruded anodised aluminium                                  |
| Junction box             | 1 box IP65 with 3 bypass diodes                              |
| Cables and connectors    | Unipolar cable 4 mm <sup>2</sup> and MC4/MC3/TYCO attachable |
| Maximum design snow load | 5400 Pa  |

| Photovoltaic Module | With frame          | Frameless           |
|---------------------|---------------------|---------------------|
| Length              | 1665 mm (65.55")    | 1657 mm (65.24")    |
| Width               | 1005 mm (39.57")    | 997 mm (39.25")     |
| Thickness           | 43 mm (1.69")       | 5 mm (0.19")        |
| Weight              | 22 Kg (48 lb. 8 oz) | 19,5 Kg (lb. 42.99) |

## Electrical specifications

| Suncase MX60                              | 225  | 230  | 235  | 240  | 245  | 250  |
|---|------|------|------|------|------|------|
| Module Power P <sub>max</sub> , W         | 225  | 230  | 235  | 240  | 245  | 250  |
| Rated voltage V <sub>mpp</sub> , V        | 29,1 | 29,3 | 29,8 | 30,3 | 30,5 | 30,7 |
| Rated current I <sub>mpp</sub> , A        | 7,74 | 7,85 | 7,89 | 7,93 | 8,04 | 8,15 |
| Open circuit voltage V <sub>oc</sub> , V  | 36,7 | 36,8 | 37,0 | 37,2 | 37,3 | 37,4 |
| Short circuit current I <sub>sc</sub> , A | 8,30 | 8,36 | 8,45 | 8,53 | 8,62 | 8,70 |
| Maximum system voltage, V                 | 1000 | 1000 | 1000 | 1000 | 1000 | 1000 |
| Module efficiency %                       | 13,4 | 13,7 | 14,0 | 14,3 | 14,6 | 14,9 |
| Cell efficiency %                         | 15,4 | 15,8 | 16,1 | 16,4 | 16,8 | 17,1 |
| Series fuse rating, A                     | 15   | 15   | 15   | 15   | 15   | 15   |

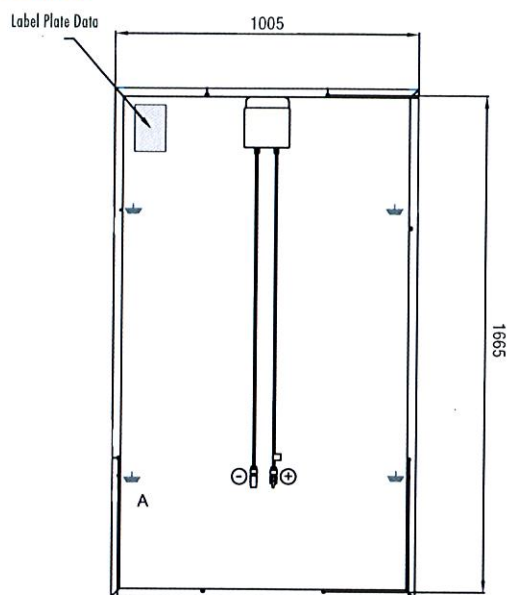
Power measurements are within -0/+4.99W of the indicated values.  
Any other electrical characteristics is within +/-5% of the indicated values.  
The values refer to Standard Test Conditions (STC): Irradiation 100 W/m<sup>2</sup>; AM 1.5; temperature 25°C (77° F).

## Information

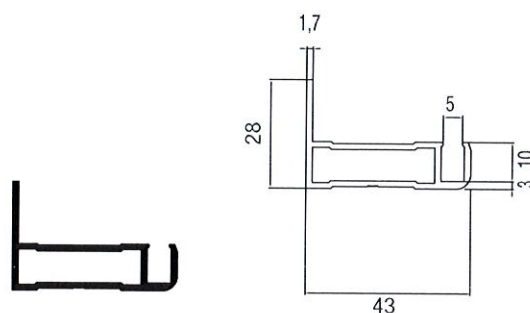
- Operating temperature range from -40°C to +85°C
- Hail impact: diameter of 28 mm with impact speed of 86 Km/h
- Fire rating Class C. Application Class A - Electrical safety class II
- MX Group guarantees the power of the module to be at least 90% of the initial value up to 10 years and at least 80% up to 25 years.
- **10 years warranty from manufacturing defects**

The specifications are subject to change without notice.

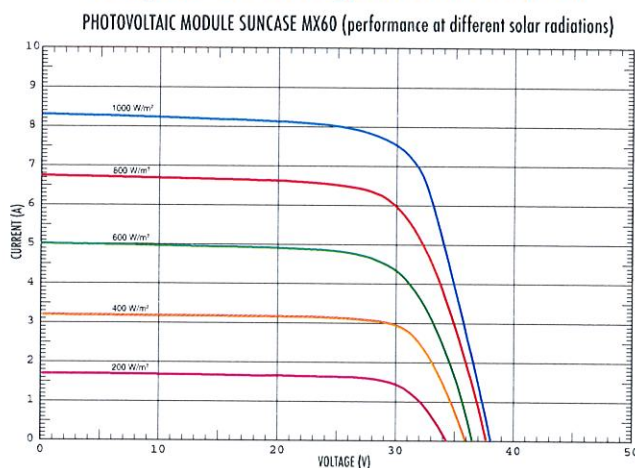
## Back



## Profile



## Graphs of Energetic Behaviour



Temperature coefficient of open circuit voltage -0.138 V/°C (-0.373%/°C)  
 Temperature coefficient of short circuit current 2.39 mA/°C (0.028%/°C)  
 Temperature coefficient of power -1.10 W/°C (-0.46%/°C)  
 NOCT (±3.5°C) 44°C