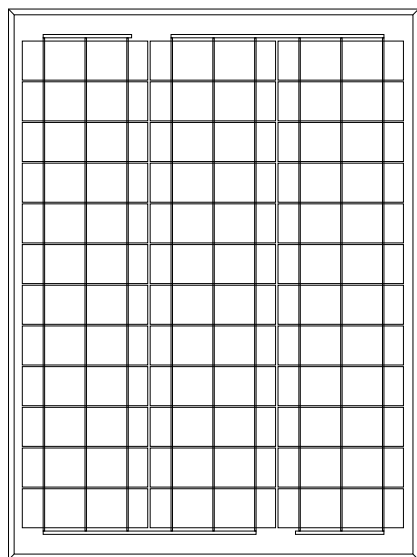


DS-A18-40 Panels Specifications



Solar cells: Poly crystalline solar cells

Laminate: Glass /EVA / TPT (tedlar/pet/tedlar) or TPE

Front Side: High-transmission 3.2mm tempered glass

Back Side: TPT /TPE

Frame: Clear anodized aluminum frame

Output: Junction box

Module Type	Pm(Wp)±5%	Vmpp(V)	Impp(A)	Voc(V)	Isc(A)	Module size(mm)	NET(kg)
DS-A18-40	40	18.0	2.22	22.3	2.4	610*510*25mm 24.0"*20.1"*1"	3.7

Operation Temperature Range: - 40°C ~ 85°C

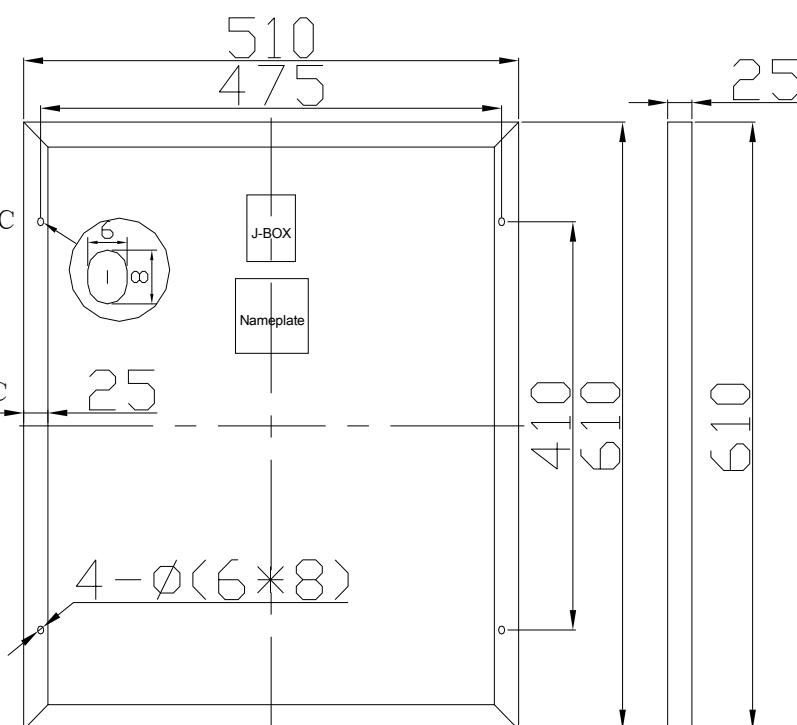
NOCT: 48°C ± 3°C

Temperature coefficients of Im: + 0.1 %/°C

Temperature coefficients of Vm: - 0.38 %/°C

Maximum System Voltage: DC600V

STC: 1000W/m², 25°C, AM1.5



All the data of this sheet are subjected to change without notice.