



# MACRO-SOLAR

## MS-M-100W/105W/110W

### Cells

Cell Technology	Monocrystalline silicon
Number of cells per module	48
Cell dimensions	125x125mm

### Mechanical Data

Dimension of the module L x W x H	1064x810x35mm
Weight	10.5kg

### Electrical data

	MS-M-100W	MS-M-105W	MS-M-110W
Maximum power	100W	105W	110W
Open Circuit Voltage	28.80V	28.80V	28.80V
Maximum power point voltage	23.04V	23.04V	23.04V
Short circuit current	4.57A	4.80A	5.03A
Maximum power point current	4.34A	4.56A	4.78A

\* At Standard Conditions (STC) Irradiance 1000 watt/m<sup>2</sup>, spectrum AM 1,5 at a cell temperature of 25°C.

### Thermal data

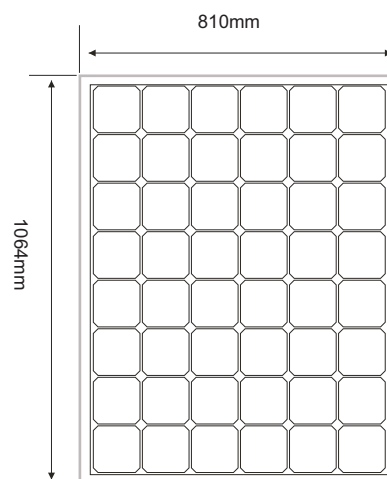
NOCT	47°C ± 2°C
Temperature Coefficient of V <sub>oc</sub>	- (90 ± 5) mV / °C
Temperature Coefficient of I <sub>sc</sub>	+ (0.065 ± 0.015) % / °C
Temperature Coefficient of Power	- (0.5 ± 0.05) % / °C

\*NOCT: Normal Operational Temperature in Celsius

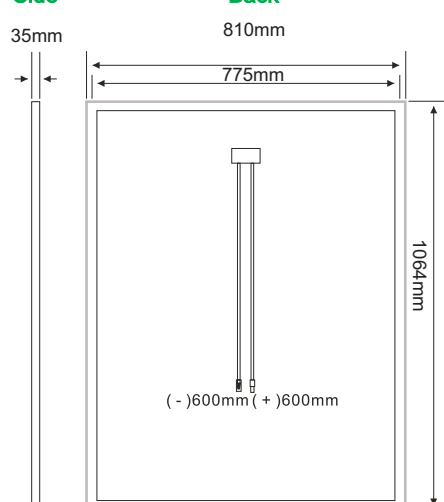
### Additional data

Junction box type	(TUV)
Cable type	(TUV)
Output tolerance	+(-)3%
Frame material	Anodized aluminium
Front glass	3.2mm tempered glass
By-pass diodes	3 pieces

### Front



### Side



### Module Construction

