



MACRO-SOLAR

MS-M-240W

| Cells | |
|----------------------------|-------------------------|
| Cell Technology | Monocrystalline silicon |
| Number of cells per module | 96 |
| Cell dimensions | 125x125mm |

| Mechanical Data | |
|-----------------------------------|----------------|
| Dimension of the module L x W x H | 1572x1064x50mm |
| Weight | 21.5kg |

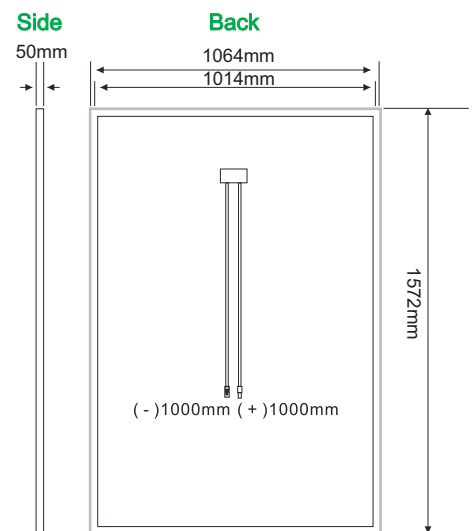
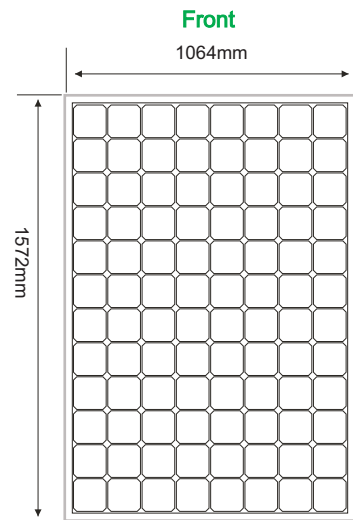
| Electrical data | |
|-----------------------------|-----------|
| | MS-M-240W |
| Maximum power | 240W |
| Open Circuit Voltage | 57.60V |
| Maximum power point voltage | 46.08V |
| Short circuit current | 5.48A |
| Maximum power point current | 5.21A |

* At Standard Conditions (STC) Irradiance 1000 watt/m², spectrum AM 1,5 at a cell temperature of 25°C.

| Thermal data | |
|--|--------------------------|
| NOCT | 47°C ± 2°C |
| Temperature Coefficient of V _{oc} | - (90 ± 5) mV / °C |
| Temperature Coefficient of I _{sc} | + (0.065 ± 0.015) % / °C |
| Temperature Coefficient of Power | - (0.5 ± 0.05) % / °C |

*NOCT: Normal Operational Temperature in Celsius

| Additional data | |
|-------------------|----------------------|
| Junction box type | (TUV) |
| Cable type | (TUV) |
| Output tolerance | +(-)3% |
| Frame material | Anodized aluminium |
| Front glass | 3.2mm tempered glass |
| By-pass diodes | 3 pieces |



Module Construction

