



MACRO-SOLAR

MS-P-80W/85W/90W

Cells

Cell Technology	Polycrystalline silicon
Number of cells per module	24
Cell dimensions	156x156mm

Mechanical Data

Dimension of the module L x W x H	680x996x35mm
Weight	7.5kg

Electrical data

	MS-P-80W	MS-P-85W	MS-P-85W
Maximum power	80W	85W	85W
Open Circuit Voltage	14.40V	14.40V	14.40V
Maximum power point voltage	11.52V	11.52V	11.52V
Short circuit current	7.31A	7.77A	8.22A
Maximum power point current	6.85A	7.38A	7.81A

* At Standard Conditions (STC) Irradiance 1000 watt/m², spectrum AM 1,5 at a cell temperature of 25°C.

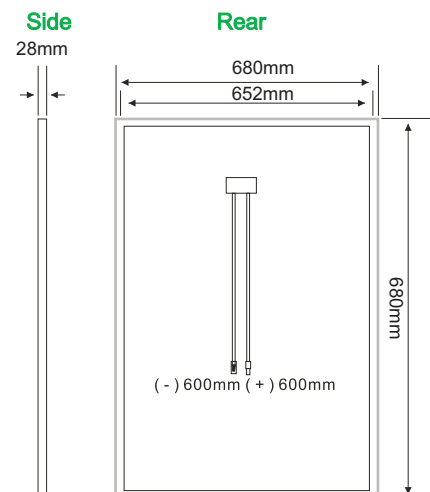
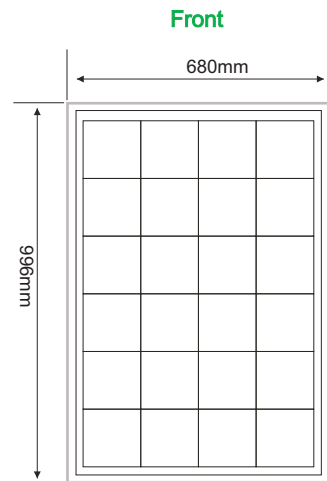
Thermal data

NOCT	47°C ± 2°C
Temperature Coefficient of V _{oc}	- (90 ± 5) mV / °C
Temperature Coefficient of I _{sc}	+ (0.065 ± 0.015) % / °C
Temperature Coefficient of Power	- (0.5 ± 0.05) % / °C

*NOCT: Normal Operational Temperature in Celsius

Additional data

Junction box type	(TUV)
Cable type	(TUV)
Output tolerance	+(-)3%
Frame material	Anodized aluminium
Front glass	3.2mm tempered glass
By-pass diodes	2 pieces



Module Construction

