

## KL250W-96M series



### SERIES:

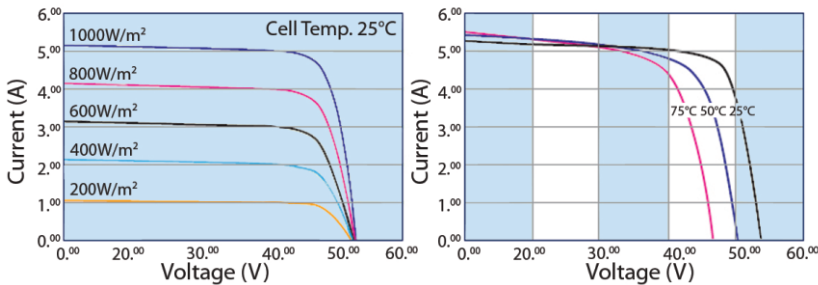
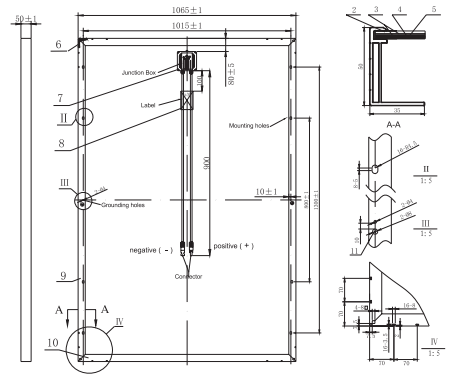
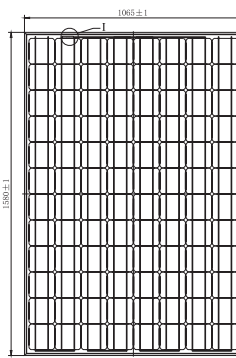
KL225W-96M KL230W-96M  
 KL235W-96M KL240W-96M  
 KL245W-96M KL250W-96M  
 KL255W-96M KL260W-96M  
 KL265W-96M KL270W-96M  
 KL275W-96M

### Features

- High module conversion efficiency, through superior manufacturing technology
- Low tolerance of +/-3% (optional)
- Withstand extreme wind-pressure, snow loads and extreme temperatures Passed IEC 5400 Pa mechanical loading test
- Aluminum alloy plated with oxidation film improving corrosion resistance
- Anti-reflective highly transparent, low iron tempered glass

### Benefits

- 25-year liner performance warranty; 10-year warranty on materials and workmanship
- All the products are covered by the Product Quality Guarantee Insurance Policy issued by China Pacific Property Insurance Co., Ltd.
- ISO 9001:2008, ISO 14001:2004 certified factory, IEC61215, IEC61730 certified Products



### Packaging Configuration

2pcs/ctn, 40 pcs/pallet, 560 pcs/40'ft Container

### Mechanical Characteristics

Cell Type	Mono-crystalline 125×125mm (5 inch)
No. of cells	96 (8×12)
Dimensions	1580×1065×50mm
Weight	21.5kg
Front Glass	3.2mm, High Transmission, Low Iron, Tempered Glass
Frame	Anodized Aluminium Alloy
Junction Box	IP65 Rated
Output Cables	TüV 1×4.0mm / UL12AWG, Length:900mm

### SPECIFICATIONS

Module Type	KL225W-96M	KL230W-96M	KL235W-96M	KL240W-96M	KL245W-96M	KL250W-96M	KL255W-96M	KL260W-96M	KL265W-96M	KL270W-96M	KL275W-96M
Peak power Pm(W)	225Wp	230Wp	235Wp	240Wp	245Wp	250Wp	255Wp	260Wp	265Wp	270Wp	275Wp
Open circuit voltage Voc(V)	58.0	58.6	58.6	59.2	59.2	59.8	59.8	60.1	60.1	60.3	60.3
Max. power voltage Vmp(V)	47.5	48.0	48.0	48.5	48.5	49.0	49.0	49.1	49.1	49.2	49.2
Max. power current Imp(A)	4.74	4.79	4.89	4.95	5.05	5.10	5.20	5.30	5.40	5.49	5.59
Short circuit current Isc(A)	5.07	5.15	5.23	5.32	5.45	5.51	5.62	5.72	5.83	5.93	6.04
Module Efficiency(%)	13.37	13.67	13.97	14.26	14.56	14.86	15.15	15.45	15.75	16.05	16.34
Operating Temperature(°C)	-40°C~+85°C										
Maximum system voltage	1000V (IEC) DC										
Maximum series fuse rating	10A										
Power tolerance	±3% (optional)										
Nominal operating cell temperature (NOCT)	45±2°C										
Temperature Coefficient of Pmax	-0.45 %/°C										
Temperature Coefficient of Voc	-0.34 %/°C										
Temperature Coefficient of Isc	0.050 %/°C										

STC :

Irradiance:1000W/m<sup>2</sup>, Cell temperature:25°C, AM:1.5