

ELECTRICAL PARAMETER

Model	NPV-M-230W	NPV-M-240W
Maximum Power(Pm)	230W	240W
Open Circuit Voltage(Voc)	36.20	36.30
Maximum Power Voltage (Vpm)	29.10	29.40
Short Circuit Current(Isc)	8.82	9.18
Maximum Power Current (Ipm)	7.90	8.16
Operating Temperature	-40°F to 185°F/-40°C to +85°C	
Maximum System Voltage	1000 V DC	
Insulation	Above 100MΩ	

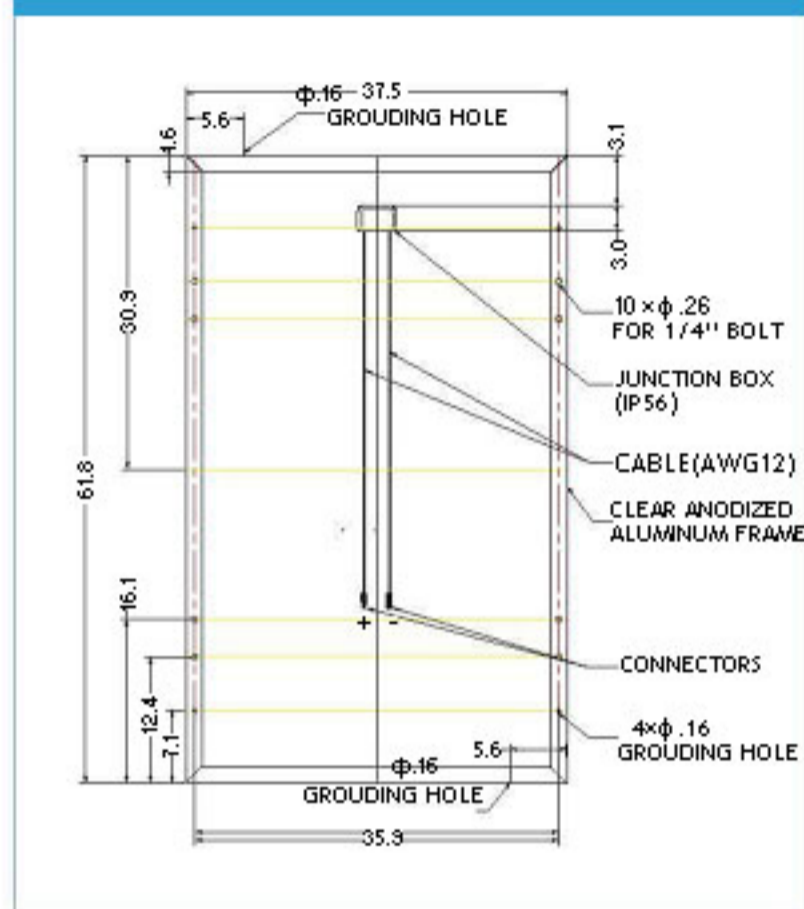
MECHANICAL CHARACTERISTICS

Cell	monocrystalline Silicon 156mmX156mm
No. of cells and connections	60(6X10)
Dimension (mm)	1640 X990 X50
Weight	19KG
Type of output	Junction Box

TEST AND COEFFICIENT

Cable	LAPP (4.0MM)
Temperature coefficient of Isc	+0.10%/°c
Temperature coefficient of Voc	-0.37%/°c
Temperature coefficient of Power	-0.45%/°c
NOTC	48±2°c

DIMENSIONS



STC

Irrandiance 1000W/M2,AM=1.5,Temperature 25°C

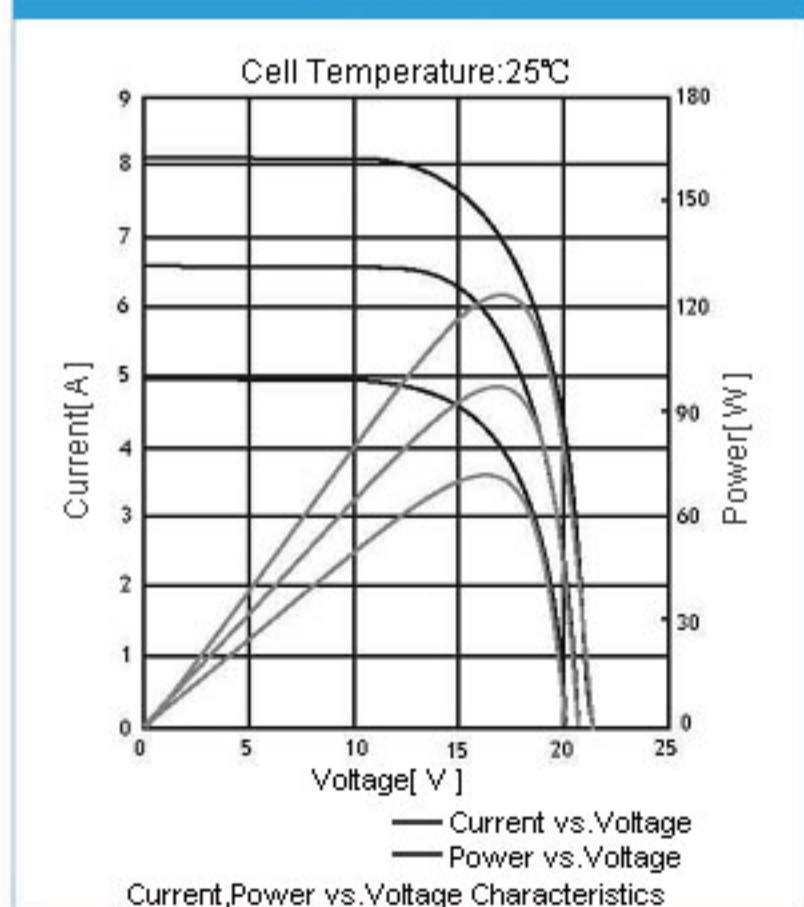
NOTC

Nominal Operation Cell Temperature

Quality Guarantee

Nominal keepmore than 90% power in 20 year,80% in 25 years

IV CURVES



The publication summarises product warranty and specification are subject to change without notice