

## Poly-crystalline Solar Module

Engcotec EJT215 with 215 Wp

Engcotec EJT220 with 220 Wp

Engcotec EJT225 with 225 Wp



- High-efficiency poly-crystalline silicon cells (156 x 156 mm)
- Manufacturer's power tolerance: -0% to +3%
- Ready-made with MultiContact plugs
- Corrosion-resistant, double-layered aluminium frame
- Simple, cost-saving assembly
- Robust, flat junction box
- Tempered low-iron glass for better light transmission
- Manufacturer's power warranty:  
12 years on 90% of nominal power  
25 years on 80% of nominal power
- Manufacturer's product guarantee: 5 years.

### Certificates

High quality standards proofed by the following certificates:

- TÜV IEC 61215.2
- TÜV Schutzklasse II
- VDE IEC 61215.w
- VDE IEC 61730

### Engcotec EJT215 / EJT220 / EJT225

Engcotec solar modules are designed and constructed to provide high performance and reliability. We constantly improve our products to ensure product performance and reliability.

The poly-crystalline cells lie behind a hardened-glass glazing and are embedded in transparent EVA (ethylenevinyl-acetate).

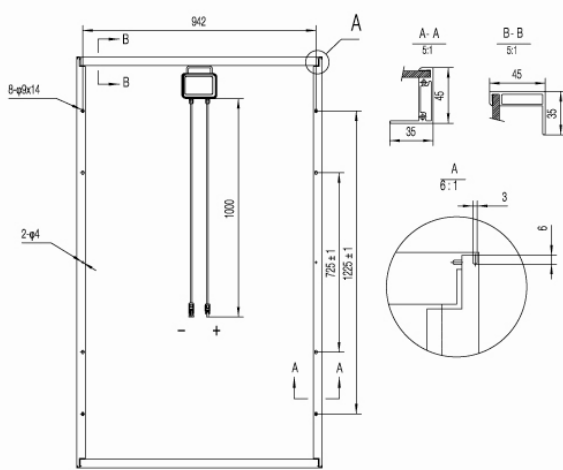


# Engcotec

Engco Advanced Technology GmbH

## Data Sheet Solar Module Engcotec EJT215 / EJT220 / EJT225

Electrical Data	EJT215	EJT220	EJT225
Max. Power $P_{MPP}$	215 W	220 W	225 W
Voltage at maximum power point $V_{MPP}$	29.8 V	30 V	30.1 V
Current at maximum power point $I_{MPP}$	7.2 A	7.34 A	7.48 A
Open-circuit voltage $V_{OC}$	36.4 V	36.6 V	36.9 V
Short-circuit current $I_{SC}$	8 A	8.1 A	8.2 A



Mechanical Data	
Dimensions (L x W x H)	1655 x 992 x 45 mm
Weight	appr. 18 kg

Characteristic Data	
Cells per module	60 (6 x 10)
Cell type	poly-crystalline
Cell dimensions	156 x 156 mm
Connections	Ready-made with MultiContact plugs
Cable lengths	90 cm
NOCT	47±2°C



IEC61215.2  
Safe Class 2



IEC61215.2  
IEC61730



Limit Values	
Max. system voltage	1000 V
Tested wind resistance	200 km/h
Operating temperature	-40°C - +85°C

Cell Temperature Coefficients	
Open-circuit voltage $T_k(V_{OC})$	-0.34% / °C

Certificates	
VDE IEC 61215.2	TÜV IEC 61215.2
VDE IEC 61730	TÜV Safety Class II

Engcotec Advanced Technology GmbH  
Kronprinzstrasse 12, D-70173 Stuttgart  
Tel.: +49 (0)711 222 96 76, Fax: +49 (0)711 222 96 777  
Email: [engcotec@engcotec.de](mailto:engcotec@engcotec.de), website: [www.engcotec.de](http://www.engcotec.de)

Engcotec reserves the right to make specification changes. No responsibility is taken for this information. 04/2009

**Certified Quality** - Engcotec Stuttgart