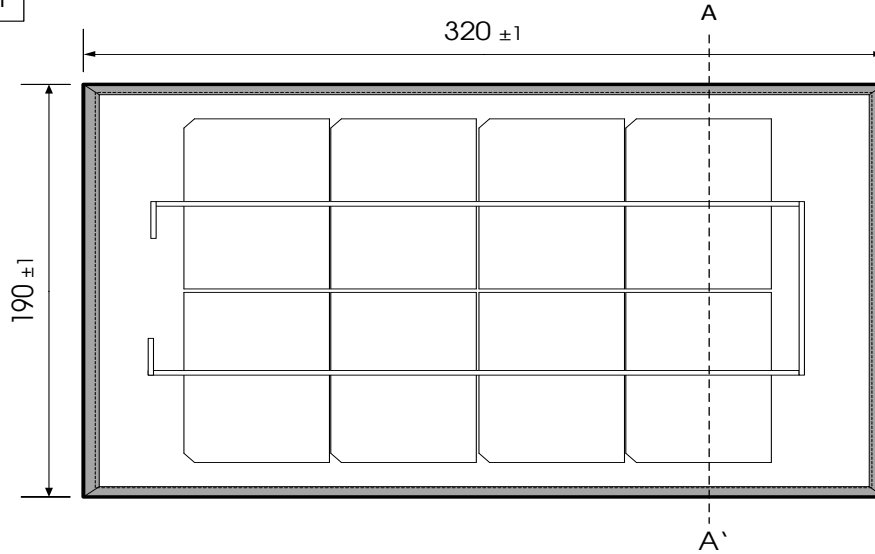
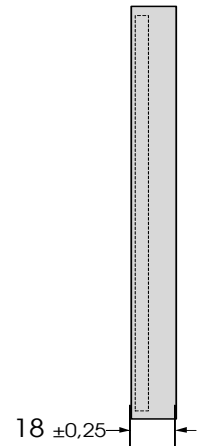


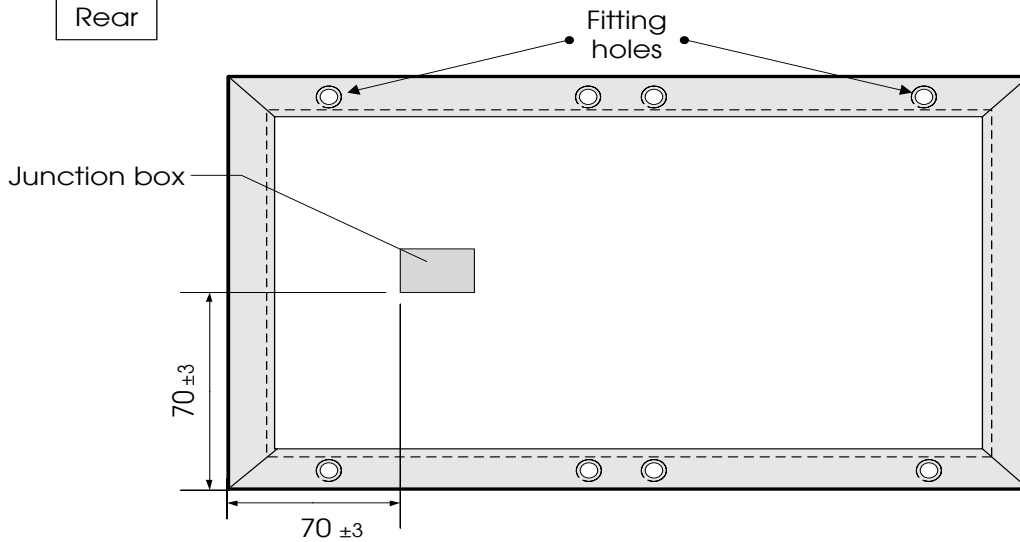
Front



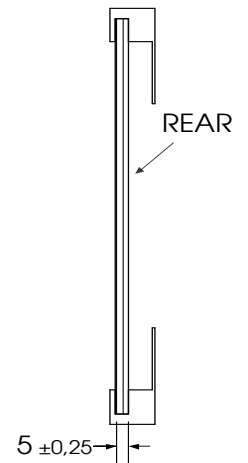
Side view



Rear



Section AA'



Dimensions:

320 x 190 x 18 mm
Weight: 0.8 Kg

Technical specification:

- Laminate: Glass / EVA / TPT.
- Background: White backsheet.
- Body: Aluminium Frame with 6 fitting holes on rear side of the frame
- Output contacts: Junction box on the rear side, 70 mm from top edge (width)
- Cells: 8 (2 x 4) cells multi-Si.

P_{mpp} : 5.0 W* ($\pm 5\%$) / V_{mpp} : 4.0 V* / I_{mpp} : 1.25 A* / I_{sc} : 1.46A* / V_{oc} : 4.8V*

*: At STC (1000W/m², 25°C, 1.5 AM)

SOLARC Innovative Solarprodukte GmbH Glogauer Straße 21, D-10999 Berlin Tel/Fax +49 30-3198554-00/99 info@solarc.de www.solarc.de	Product / Project CSM 8.500 / Stock	Document Datasheet	Issued 23.06.2011	Author AN
	Remarks Details subject to change	Document-No./ Ref. - / -	Modified	Author