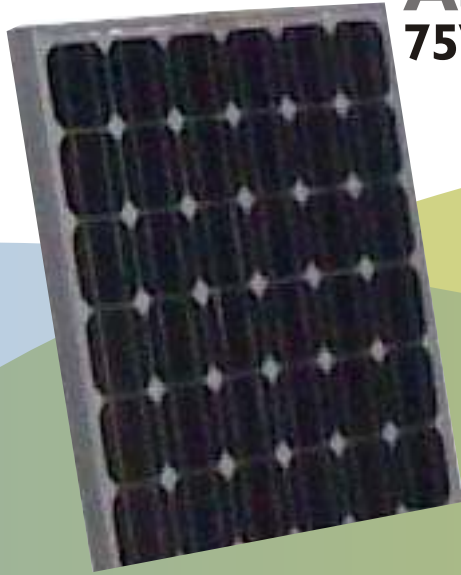


# ASPL E36

## 75W



### Electrical Characteristics

Nominal Power	Pm(Wp)	75
Power tolerance	%	±3
Rated Voltage	Vm(V)	17.5
Rated Current	Imp(I)	6.30
Open Circuit Voltage	Voc(V)	22.3
Short Circuit Current	Isc(I)	8.22
Cell Efficiency	%	16
Module Efficiency	%	14
Max. System Voltage	VAC	1000

### Absolute Ratings

Dielectric Insulation Voltage	3000max,VDC
Operating Temperature	-40 to +85oC
Storage Temperature	-40 to +85oC
Maximum Mechanical load	5400N/m <sup>2</sup>

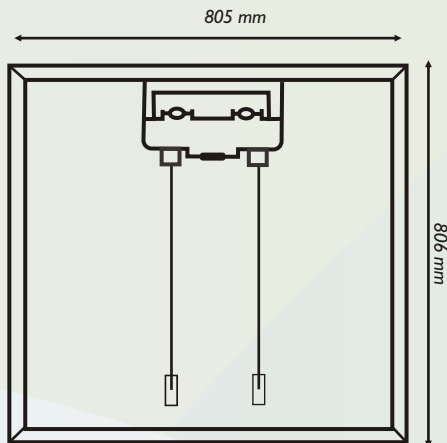
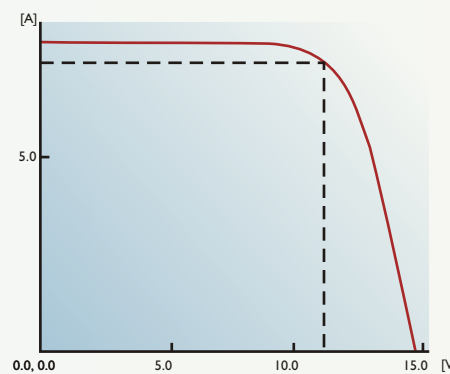
### Mechanical Characteristics

Module Dimensions	805x806x34
Weight	10kg
Cables Characteristics	4mm <sup>2</sup> , TUV certified, 1000mm
Glass, Type & Thickness	High Transmission, Low Iron, Tempered, 4mm

### Constructive Details

Cell Configuration	36
Cell Size	6"x6"/ 5"x5"
Frame Size	805x806x34
No of Bypass diodes	2pcs
Max.Series fuse Rating	12A
Junction Box Protection	IP 65

### IV Curve



### Packing Configuration

Packing Configuration	23pcs/box
Quantity/Pallet	25pcs/pallet
Loading Capacity	560pcs/40ft

Nominal rating at STC: 100W/m<sup>2</sup> AM 1.5. 25°C.  
 Electrical Parameter Tolerance +/-3%.  
 Due to its policy of constant development, ASPL reserves the right to modify technical data without prior notice.

**Warranty**  
 60 months limited product workmanship warranty  
 12 year limited power warranty (for 90% of NP)  
 25 years limited power warranty (For 80% of NP)

**Certificates**  
 \*IEC 61215, Safety Tested IEC 61730, CE Marking  
 UL 1703, CEC Listing & class C Fire Rating