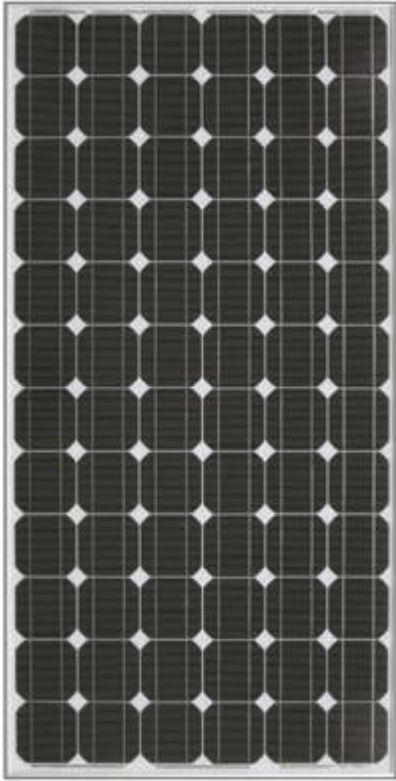


Monocrystalline



Founded in 2008, Watton Solar is a vertically integrated PV manufacturer, our products includes everything from ingots, wafers, cells to modules, using both mono and multicrystalline technologies. By July of 2011, we grew from a 50 MW to a 300 MW facilities and are continuing to grow. Watton Solar's wide range of modules are used in residential, commercial, industrial, and public utility applications throughout the world.

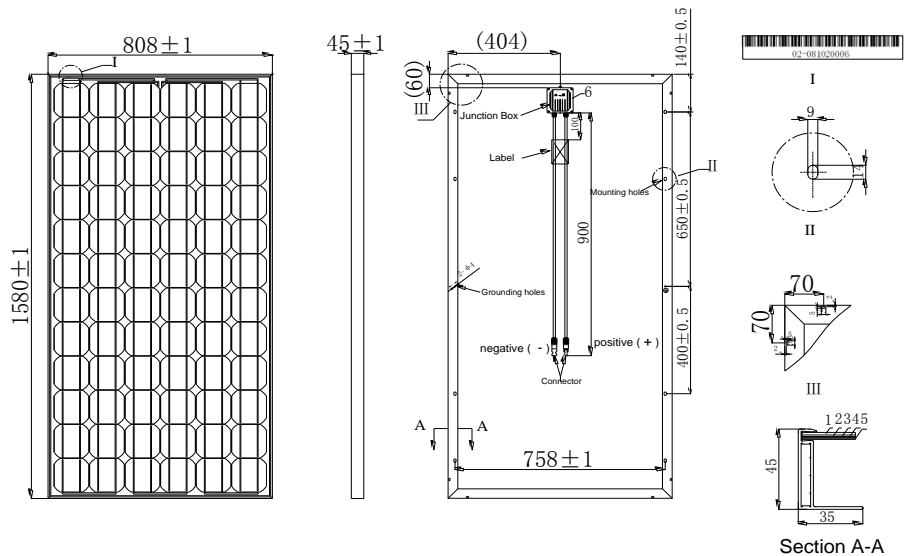
Watton's modules are durable and reliable, with power output ranging from 155 to 300Wp, our modules is designed and built to deliver the highest efficiency and high stability with guaranteed 0/+3% power output, power warranty are 10/90%, 25/80% with 10 years' product warranty.

Certified by: **UL, TUV, CE, IEC, VDE, MCS, CEC**

Manufactured according to International Quality and Environment Management System (ISO9001:2008)



- WTM155M
- WTM160M
- WTM165M
- WTM170M
- WTM175M
- WTM180M
- WTM185M



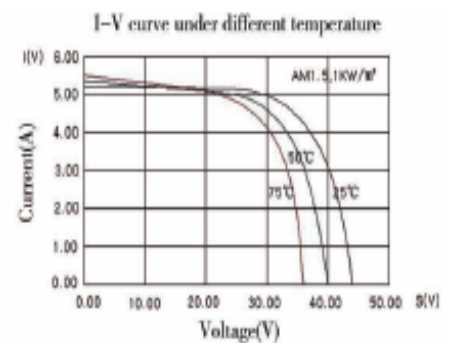
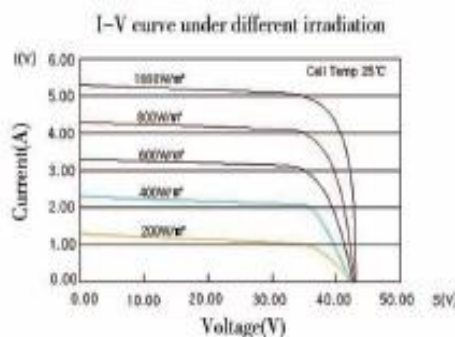
Watton Solar

377 S. Lemon Ave., Suite C
Walnut, CA 91789 USA

T: 909-598-7688

F: 909-598-7288

E: contactus@wattonsolar.com



Electrical Characteristics	WTM155M	WTM160M	WTM165M	WTM170M	WTM175M
Maximum Power (Pmax)	155wp	160wp	165wp	170wp	175wp
Power Output Tolerance Pmax (%)	0/+3	0/+3	0/+3	0/+3	0/+3
Type of Cell	Mono	Mono	Mono	Mono	Mono
Cell Configuration	72 in series	72 in series	72 in series	72 in series	72 in series
Open Circuit Voltage (Voc)	42.0V	42.0V	42.0V	42.0V	42.0V
Maximum Power Voltage (Vpm)	35.0V	35.0V	35.0V	35.5V	35.5V
Short Circuit Current (Isc)	4.96A	5.12A	5.28A	5.36A	5.52A
Maximum Power Current (Ipm)	4.43A	4.57A	4.71A	4.79A	4.93A
Module Efficiency (%)	12.14%	12.53%	12.92%	13.32%	13.71%
Maximum System (DC)Voltage	600 V	600V	600V	600V	600V
Series Fuse Rating	10A	10A	10A	10A	10A
NOCT	45±2°C	45±2°C	45±2°C	45±2°C	45±2°C
Temperature Coefficient (Pmax)	-0.45%/°C	-0.45%/°C	-0.45%/°C	-0.45%/°C	-0.45%/°C
Temperature Coefficient (Voc)	-0.34%/°C	-0.34%/°C	-0.34%/°C	-0.34%/°C	-0.34%/°C
Temperature Coefficient (Isc)	0.050%/°C	0.050%/°C	0.050%/°C	0.050%/°C	0.050%/°C

Mechanical Characteristics

Module Dimensions (mm)	1580mm x 808mm x 45mm
Junction Box Type	IP 65 Rated
Cable Length	900 mm
Frame	Anodized Aluminum Alloy
Weight Per Piece (kg)	15.5 kg
Operating Temperature (cell)	-40°C~85°C

Packing Configuration

Quantity/Pallet	23 Pcs./pallet	23 Pcs./pallet	23 Pcs./pallet	23Pcs./pallet	23Pcs./pallet
Loading Capacity for 20' GP	332	332	332	332	332
Loading Capacity for 40' GP	748	748	748	748	748
Loading Capacity for 40' HQ	832	832	832	832	832

Warranty

10 Years manufacturing warranty
 10 Years warranty, 90% power output
 25 Years warranty, 80% power output

Certification



The WTM 155M/160M/165M/170M/175M complies with the requirements of IEC 61215 and IEC 61730, Electrical Protection Class II and UL 1703.

Watton Solar

377 S. Lemon Ave., Suite C
 Walnut, CA 91789 USA

T: 909-598-7688

F: 909-598-7288

E: contactus@wattonsolar.com

CAUTION: READ SAFETY AND INSTALLATION INSTRUCTIONS BEFORE USING THE PRODUCT

All rights reserved, specifications included in those datasheet are subject to change without notice.

Electrical Characteristics	WTM180M	WTM185M
Maximum Power (Pmax)	180wp	185wp
Power Output Tolerance Pmax (%)	0/+3	0/+3
Type of Cell	Mono	Mono
Cell Configuration	72 in series	72 in series
Open Circuit Voltage (Voc)	43.2V	43.2V
Maximum Power Voltage (Vpm)	36.0V	36.0V
Short Circuit Current (Isc)	5.60A	5.76A
Maximum Power Current (Ipm)	5.00A	5.14A
Module Efficiency (%)	14.10%	14.49%
Maximum System (DC)Voltage	600 V	600V
Series Fuse Rating	10A	10A
NOCT	45±2°C	45±2°C
Temperature Coefficient (Pmax)	-0.45%/°C	-0.45%/°C
Temperature Coefficient (Voc)	-0.34%/°C	-0.34%/°C
Temperature Coefficient (Isc)	0.050%/°C	0.050%/°C

Mechanical Characteristics	
Module Dimensions (mm)	1580mm x 808mm x 45mm
Junction Box Type	IP 65 Rated
Cable Length	900 mm
Frame	Anodized Aluminum Alloy
Weight Per Piece (kg)	15.5 kg
Operating Temperature (cell)	-40°C~85°C

Packing Configuration				
Quantity/Pallet	23Pcs./pallet	23 Pcs./pallet	23Pcs./pallet	23 Pcs./pallet
Loading Capacity for 20' GP	332	332	332	332
Loading Capacity for 40' GP	748	748	748	748
Loading Capacity for 40' HQ	832	832	832	832

Warranty

10 Years manufacturing warranty
 10 Years warranty, 90% power output
 25 Years warranty, 80% power output

Certification



The WTM 180M/185M/190M/195M complies with the requirements of IEC 61215 and IEC 61730, Electrical Protection Class II and UL 1703.

Watton Solar

377 S. Lemon Ave., Suite C
 Walnut, CA 91789 USA

T: 909-598-7688

F: 909-598-7288

E: contactus@wattonsolar.com

CAUTION: READ SAFETY AND INSTALLATION INSTRUCTIONS BEFORE USING THE PRODUCT

All rights reserved, specifications included in those datasheet are subject to change without notice.