

S-Class Excellent

210 Wp ■ 215 Wp ■ 220 Wp ■ 225 Wp

Excellence in design and high yields

- Manufactured completely in Germany at the CENTROSOLAR factory, certified in accordance with DIN EN ISO 9001:2008 14001:2009 and OHSAS 18001
- Panel efficiency up to 15.1%
- Attractive design solution in premium black*
- Salt spray corrosion tested according to IEC 61701 Ed. 2
- Ammonia resistant according to IEC 62716 Draft C
- Up to 5,400 Pa load
- Panel sizes optimised for performance and handling
- Positive power classification
- Anti-reflective glass ensures high yields even under diffuse irradiation
- Ten-year product warranty**
- 26-year linear performance warranty**



* Slight colour variation of panels is possible due to specific conditions in production.
** For detailed information, please consult the Centrosolar AG warranty conditions.



- Qualified, IEC 61215
- Safety tested, IEC 61730
- Heavy Snow Load tested
- Ammonia resistance tested
- Salt corrosion resistance tested
- ANSI/UL 1703 listed
- Periodic inspection



S-Class Excellent polycrystalline

Performance under STC*

Panel type	S 210P54	S 215P54	S 220P54	S 225P54	
Rated power (Pmpp)	210	215	220	225	Wp
Short-circuit current (Isc)	8.72	8.82	8.88	8.94	A
Open-circuit voltage (Uoc)	33.37	33.57	33.63	33.75	V
Voltage (Umpp)	26.03	26.29	26.67	26.97	V
Current (Impp)	8.07	8.18	8.25	8.35	A
Efficiency η	14.1	14.5	14.8	15.1	%

* Under Standard Test Conditions (STC) (1,000 W/m², spectrum AM 1.5, cell temperature 25°C), measurement tolerances STC: $\pm 3\%$ (Pmpp); $\pm 10\%$ (Isc, Uoc, Impp, Umpp)

Power at 800 W/m², NOCT, AM 1.5

Panel type	S 210P54	S 215P54	S 220P54	S 225P54	
Rated power (Pmpp)	157.18	160.86	164.28	168.04	Wp
Short-circuit current (Isc)	7.02	7.10	7.15	7.19	A
Open-circuit voltage (Uoc)	31.43	31.62	31.67	31.78	V
Voltage (Umpp)	24.48	24.71	25.02	25.27	V
Current (Impp)	6.42	6.51	6.57	6.65	A

Thermal properties

TC Pmpp	-0.45	%/K
TC Uoc	-0.36	%/K
TC Isc	0.028	%/K
NOCT	46 \pm 2	°C

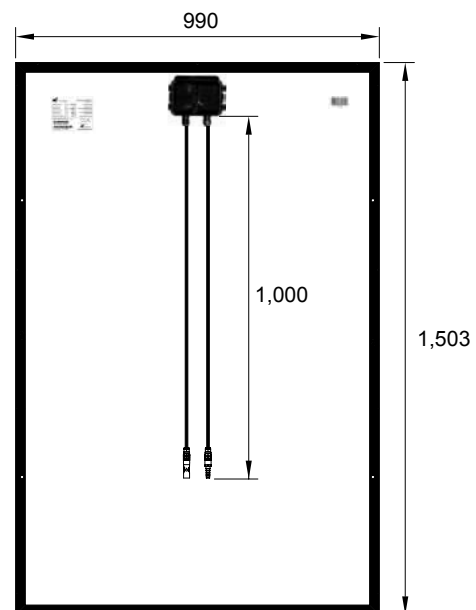
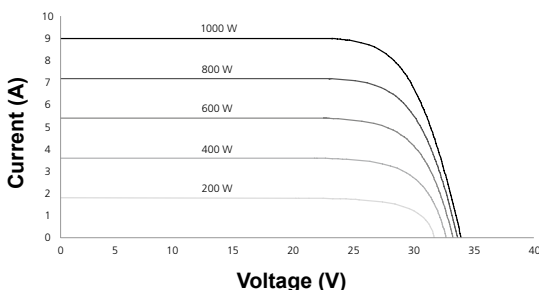
Other technical specifications

Class range (positive classification)	-0/+4.99	W
Max. system voltage	1,000	V
Weight	17.5 \pm 0.5	kg
Reverse current load IR	15	A
Pmpp measurement accuracy at STC	± 3	%
Frame height	40	mm

Materials used

Cell count	54
Cell dimensions	156 mm x 156 mm
Front side	Hardened solar glass
Connector	IP65

I-V curve S 225P54 Excellent



CENTROSOLAR AG
 Stresemannstrasse 163
 22769 Hamburg
 GERMANY
 Tel.: +49 40 391065-0
 hamburg@centrosolar.com

Measurements in mm

Updated 01/2013. All information is supplied without guarantee. Technical changes reserved.