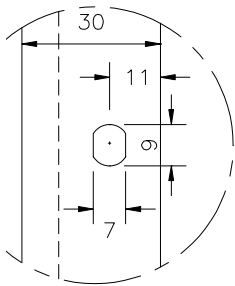
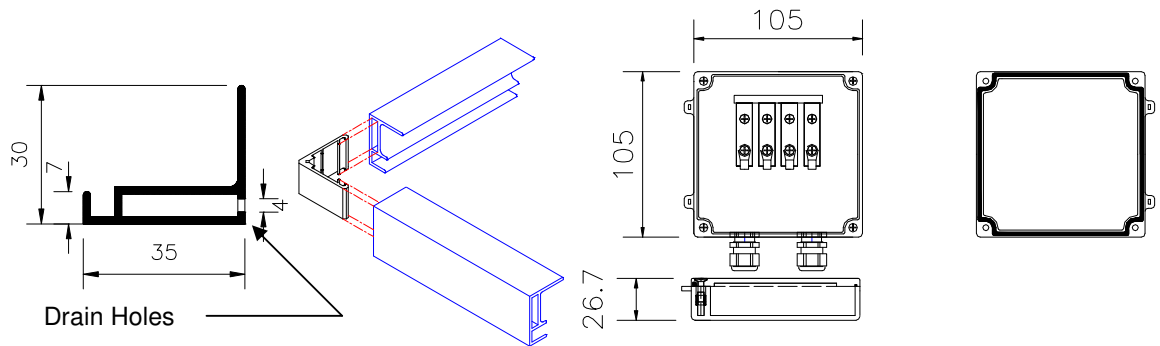


Solar Module U5 100 - 12V / 24V			
Electrical Parameters			
Maximum power rating P_{max}	[Wp]	100.0 Wp	100.0 Wp
Rated current I_{mp}	[A]	5.62 A	2.81 A
Rated voltage V_{mp}	[V]	17.82 V	35.64 V
Short circuit current I	[A]	6.37 A	3.18 A
Open circuit voltage V_{oc}	[V]	21.6 V	43.2 V
Minimum Warranted Power P_{min}	[Wp]	93.4 Wp	93.4 Wp
Cell Specifications		Cut Cells from 125mm PSq Mono Crystalline Cells (125 x 77.50)	
Number of cells		72 cells	
Power Tolerance		[%] ± 6.66 %	
NOCT		[°C] 45±2	
Temp. Coefficient: short-circuit current		[A] 1.2 mA/°C	
Temp. Coefficient: open-circuit voltage		[V] 0.77mV/°C	
1. W_p (Watt peak) = Peak Power Air mass $AM = 1.5$ Irradiance $E = 1000W/m^2$ Cell temperature $T_c = 25^\circ C$ 2. Normal operating Cell Temperature at : Irradiance $E = 800W/m^2$ Cell temperature $T_u = 20^\circ C$ Wind speed $V_w = 1 m/s$ 3. Diagonal lifting of module plane. 4. Per IEC 61215 Test requirements.			

Mounting Holes



Aluminum frame Details



Udhaya Energy Photovoltaics Pvt Limited,
 1/279z, Mudalipalayam, Arasur (P.O)
 Coimbatore 641 407
 Tamil Nadu, INDIA

Website: www.upvsolar.com
 E-Mail: info@upvsolar.com

Tel: +91 422 2361170,
 +91 98944 99910
 Fax: +91 422 2361180
 +91 422 2560992

Your address for Photovoltaics from UPV
SOLAR