



FEATURES:

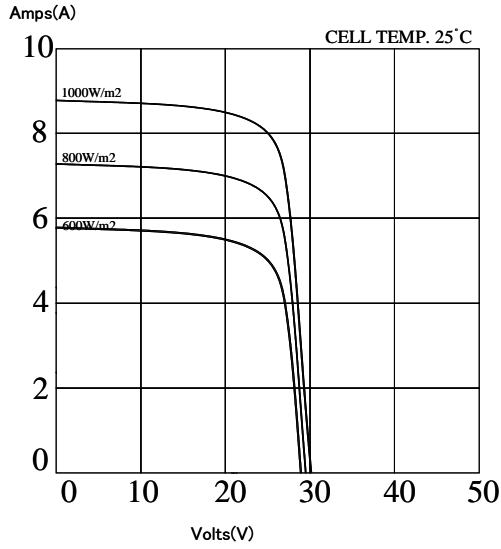
- Single crystalline silicon photovoltaic module.
- High power module using 6" mono crystalline solar cell.
- Bypass diode is attached minimize power reduction caused by shade.
- 48 solar cells and connection in series.
- Using optical low iron tempered glass, EVA resin, module with aluminum frame for outdoor use.
- The module will maintain 90% of minimum specification performance along the first 12 years, and will maintain 80% of minimum specification performance along sequent 13 years.

LM195BA6800 ~ LM215BA6800

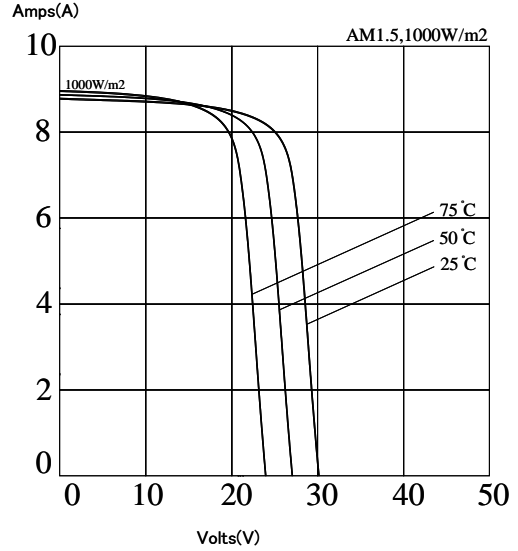
Maximum power (Pmax)	195W	200W	205W	210W	215W
Maximum power voltage (Vpm)	23.73 V	23.84 V	23.93 V	24.03 V	24.11 V
Maximum power current (Ipm)	8.22 A	8.39 A	8.57 A	8.74 A	8.92 A
Open circuit voltage (Voc)	30.10 V	30.24 V	30.34 V	30.48 V	30.58 V
Short circuit current (Isc)	8.77 A	8.98 A	9.12 A	9.33 A	9.47 A
Module efficiency (ηm)	15.0%	15.4%	15.8%	16.2%	16.6%
No. & type solar cells	48 in series/ 6"(156x156 mm) single				
Maximum system voltage	TUV:DC 1000 V/UL:DC 600 V				
Series fuse rating	15 A				
Performance tolerance	±3%				
Operating temperature	-40 to +90 °C				
Storage temperature	-40 to +90 °C				
Dimensions	1309x990x38.1 mm±2 mm/51.5"x39"x1.5"±0.08"				
Weight	14.9 kg/32.85 lbs				
Output Terminal(Tyco J-Box)	1394462-4(-)/6-1394461-2(+)				

LM195BA6800 ~ LM215BA6800

ELECTRICAL CHARACTERISTICS



DEPENDENCE ON TEMPERATURE



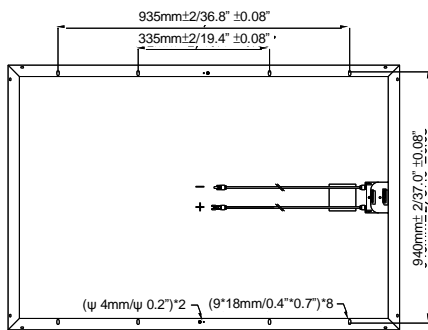
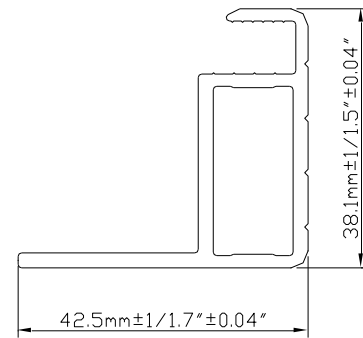
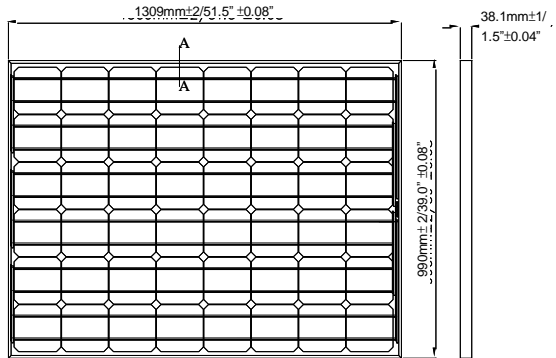
Temperature coefficient of Isc: 0.04%/°C

Power temperature coefficient: -0.43%/°C

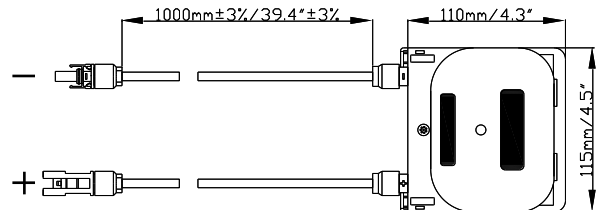
Temperature coefficient of Voc: -0.33%/°C

NOCT: 46±1°C

OUTLINE DIMENSIONS



Lead Wire



Field wiring: Cu wiring only, min. 12 AWG(4mm²), insulated for 90°C min.