

NEW

D-SWM-190W/72M

small area,
higher output

High Power Photovoltaic Module

D-SWM-190W/72M

Product features

3.2mm tempered glass
for more stability and
corrosion resistance

Junction box with 3 bypass diodes
minimizes decline in output
when shadowing

Backsheet lamination
for long-term weather protection,
and against moisture

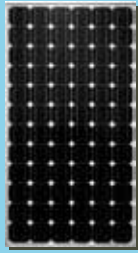
Output allowance + 3%

Warranty

Product warranty:
5 years (material & manufacture)

Output guarantee:
10 years on 90% of maximum output
25 years on 80% of maximum output





TECHNICAL DATA
 High Power Photovoltaic Module
 D-SWM-190W/72M

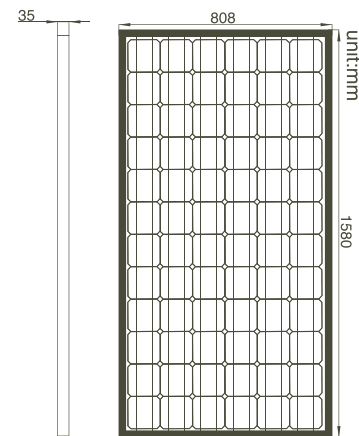


Electrical Data

Maximum Power (+3%Wp)	190W
Maximum power voltage (Vmp)	37.7V
Maximum power current (Imp)	5.04A
Open circuit voltage (Voc)	45.1V
Short circuit current (Isc)	5.35A
Reverse current	13.5A
Maximum system voltage (Vmax)	DC1000V (TÜV)
Standard Test Conditions (STC)	Standard Test Conditions: 1000W/m ² AM: 1.5 Temperature: 25°C

Mechanical Data

Cell	Mono-crystalline 125 × 125mm (5")
No.of cells	72 pcs. (6×12)
Dimension of module	1580(L)×808(W)×35(H) mm
Weight	15kg
Front Glass	3.2mm Tempered glass
EVA	EVA
Backsheet	TPT / TPE
Frame	anodized aluminum
Junction Box	3 bypass-diodes connection box
Cable	900mm / 900mm
Connection	MC connector type IV compatible



Temperature Coefficients

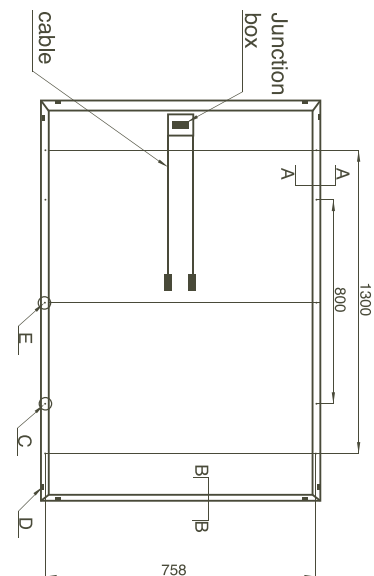
Nominal operating cell temperature (NOCT)	45°C ± 2°C
Temperature coefficient ISC (α)	0.038%/K
Temperature coefficient VOC (β)	-0.34%/K
Temperature coefficient Pmax	-0.48%/K

Permissible Operating Conditions

Operating temperature	-40°C to +85 °C
Maximum Hail diameter	up to Ø28mm size and 86km/h
Maximum loading capacity (snow load)	5.400Pa
Continuous wind pressure	2.400Pa 130km/h (60m/s)

Packing Configurations

Packing configuratin	26 pcs. / box
Quantity/pallet	1 box / pallet
40 foot Container	728 pcs. / container



Indemnity against liability: Given technical data are averages and could vary slightly. The directly related data of the special measuring - flashreport are decisive. Subject to changes errors and omissions excepted Technical changes within the further development are to be reserved by the manufacturer and producer. Images can differ from actual/original product.

Data as: March 2010



Gleimstraße 50 | 10437 Berlin, Germany
 T +49 (0)30 63 22 29-60 | F +49 (0)30 63 22 29-59
 info@deng-sunwin-solar.de | www.deng-sunwin-solar.de

- Qualified, IEC 61215
- Safety tested, IEC 61730
- Periodic Inspection