

Silver Plus

S610SPP S612SPP

BEHAVIOUR UNDER STANDARD TEST CONDITIONS (1000 W/M² - 25°C)

Cells	Product code	Pmax (W)	Voc (V)	Vmp (V)	Isc (A)	Imp (A)	Eff. (%)
60	S610SPP-235	235	36.61	29.17	8.61	8.05	14.16
	S610SPP-240	240	36.85	29.51	8.65	8.13	14.46
	S610SPP-245	245	37.17	29.76	8.77	8.23	14.76
	S610SPP-250	250	37.54	30.03	8.83	8.32	15.06
	S610SPP-255	255	37.68	30.19	8.96	8.44	15.36
	S610SPP-260	260	37.82	30.35	9.08	8.55	15.66
72	S612SPP-285	285	44.40	35.37	8.61	8.05	14.43
	S612SPP-290	290	44.53	35.65	8.65	8.13	14.68
	S612SPP-295	295	44.76	35.84	8.77	8.23	14.94
	S612SPP-300	300	45.05	36.04	8.83	8.32	15.19

For aesthetic features refer to the picture.

Mechanical characteristics	S610SPP	S612SPP
Cell type	Polycrystalline silicon, 3 bus bar	Polycrystalline silicon, 3 bus bar
Cell dimensions (mm)	156x156	156x156
Module dimensions LxWxH (mm)	1663x998x35	1979x998x35
External frame	Aluminium	Aluminium
Weight (Kg)	21.4	26
Junction box	Protection Class IP65	Protection Class IP65
By-pass diodes	3	3
Cables	Wire section 4 mm ² , Length 2.00 m (MC4)	Wire section 4 mm ² , Length 2.30 m (MC4)
Glass	Temperated ARC glass 4 mm	Temperated ARC glass 4 mm

Other electrical characteristics	S610SPP	S612SPP
NOCT (°C)	43.2	43.2
Thermal variation for short circuit current (%/°C)*	0.042	0.042
Thermal variation for vacuum voltage (%/°C)	-0.335	-0.335
Thermal variation for maximum power (%/°C)*	-0.454	-0.454
Performance tolerance (W)	-0/+4	-0/+4
Max. system voltage (V)	1000	1000

*Measured by Fraunhofer ISE

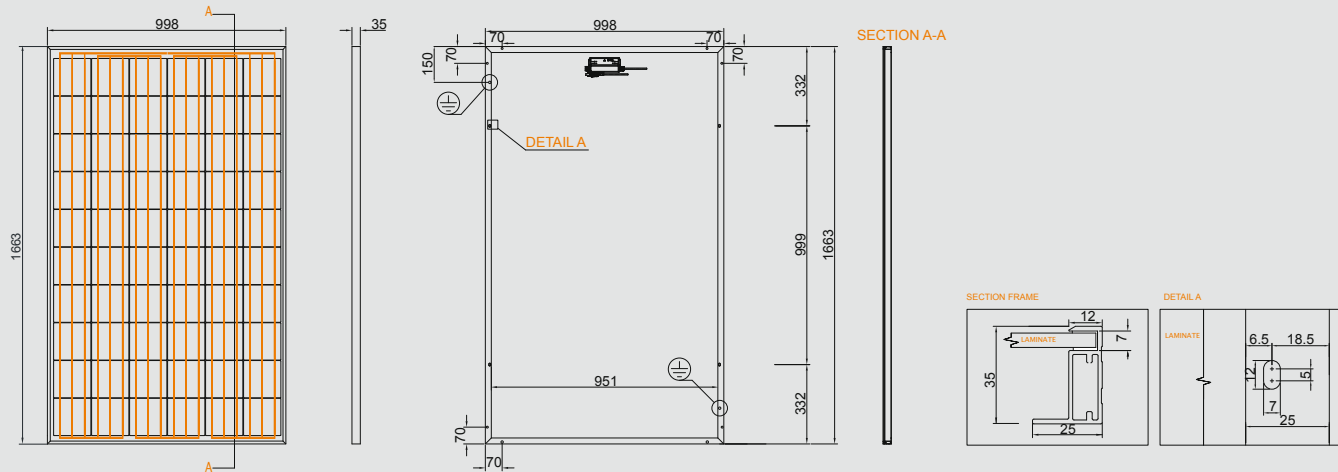


STRUCTURE

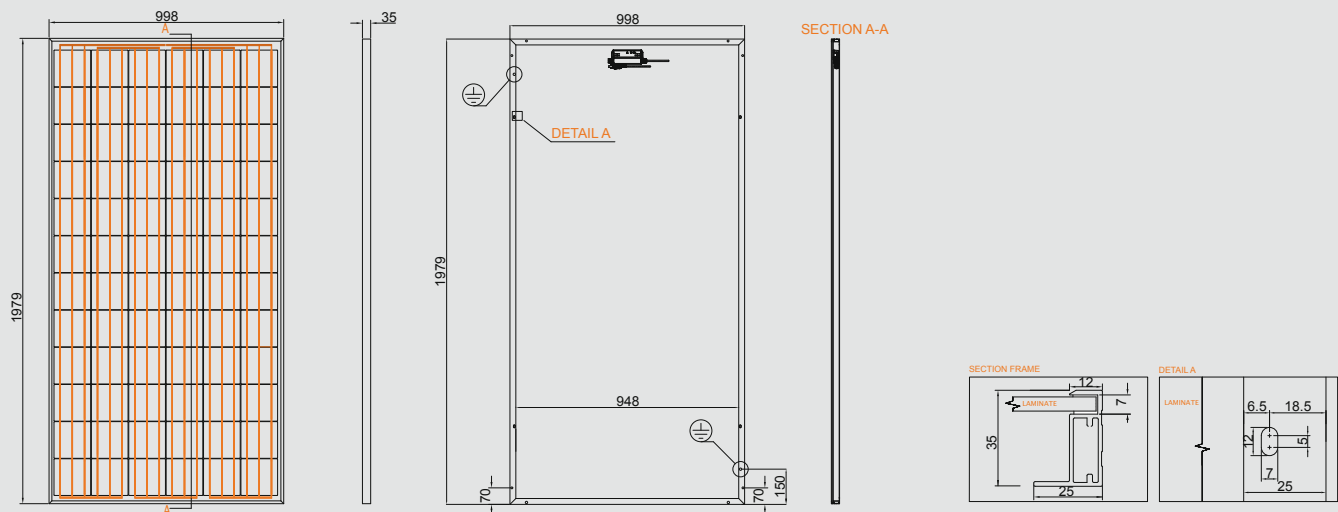
- Protective ARC (Anti Reflective Coating) glass for maximum performance, thickness 4 mm
- Cells encapsulated in high quality EVA (ethylene vinyl acetate)
- High performance impermeable backsheet

TECHNICAL DRAWINGS (Dimensions mm)

S610SPP



S612SPP



Technical drawings are exclusive property of Solsonica according to the regulations in force.

WARRANTIES

- 12 years product warranty*
 - 25 years linear power output warranty: 2.5% derating in first year, 0.7% annual derating in the following 24 years
- * The warranty will not apply if the modules are not installed as indicated in the operating manual.

CERTIFICATIONS

- IEC 61215
- IEC 61730
- MADE IN EU: Factory inspection certification
- CEI EN 61701: 2000 - Salt mist corrosion test
- TUV Protocol - Ammonia resistance test
- FIRE TEST according to IEC61730-2:2004 Annex A



Solsonica S.p.A. reserves the right to make changes to product technical data. This technical data sheet complies with the requirements of EN 503801.

Printed on 100% recycled paper.