



# SOVA POWER LIMITED

www.sovasolar.com

## SS200P Series 54 cells/ 180Wp-205WP

- **Excellent Power Output (+3/0%)**
- **10 Year Limited Product Warranty**
- **25 Year Linear Power Guarantee**
- **High Low-Light Performance**
- **High Performance Modules with high efficiency**

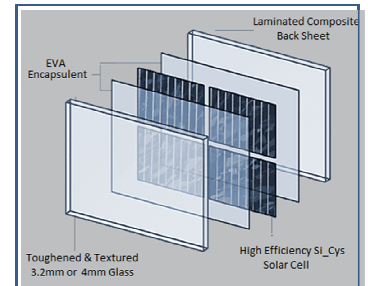


## Features

- Ultra-clear 3.2 mm toughened and textured glass
- Multi layer tedlar® and Fast Cure EVA
- Reinforced anodized aluminium frame
- Pre-drilled frame for easy mounting
- IP-65 rated Junction Box

## Construction Characteristics

- Frame
- Glass
- EVA
- Cells
- Back sheet



## Application

- On-grid systems
- BIPV
- Solar farms
- Standalone (off-grid) systems

## Certifications

- **IEC 61625 & IEC 61730**
- **ISO 9001 – 2008; ISO 14001-2004**



# SOVA POWER LIMITED

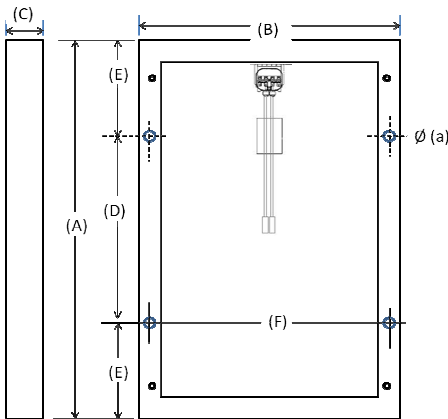
www.sovasolar.com



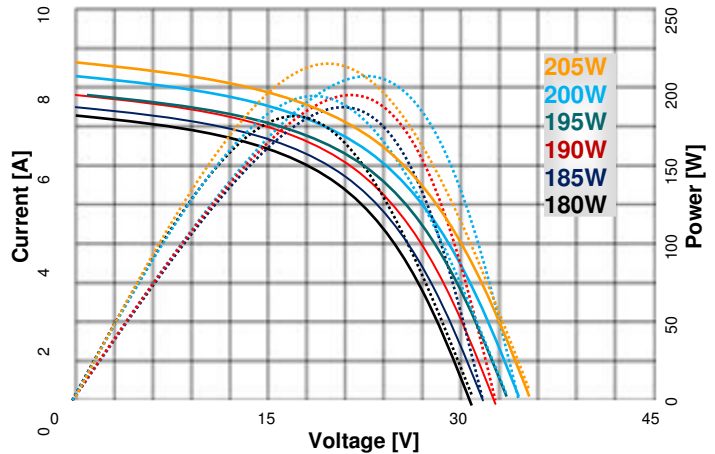
Specifications	SS180P	SS185P	SS190P	SS195P	SS200P	SS205P
Cell	Multicrystalline Solar Cell 156 x 156 mm					
<b>Characteristics</b>						
Open circuit voltage (VOC)	31.86V	32.08V	32.40V	32.62V	32.83V	33.05V
Optimum operating voltage (Vmp)	25.81V	26.03V	26.35V	26.57V	26.78V	27.00V
Short circuit current	7.76A	7.82A	7.91A	7.97A	8.03A	8.09A
Optimum operating current (Imp)	6.98A	7.12A	7.22A	7.35A	7.48A	7.60A
Power at STC (Pmax)	180W	185W	190W	195W	200W	205W
Temperature coefficient for Voc/°C	-0.34%	-0.34%	-0.34%	-0.34%	-0.34%	-0.34%
Temperature coefficient for power/°C	-0.43%	-0.43%	-0.43%	-0.43%	-0.43%	-0.43%
NOCT	47°C	47°C	47°C	47°C	47°C	47°C
NOCT = Irradiance level 800 W/m <sup>2</sup> , spectrum AM 1.5, wind velocity 1 m/s, Tamb 20°C						

Module Dimension	
Weight	19.5kg
Dimension of module (A) x (B) x (C)	1481 X 982 x 35 mm
Mounting hole dia $\phi$ a	7mm
Mounting hole CTC distance - vertical (D)	800 mm
Mounting hole distance from corner (E)	340.5 mm
Mounting hole CTC distance - horizontal (F)	946 mm

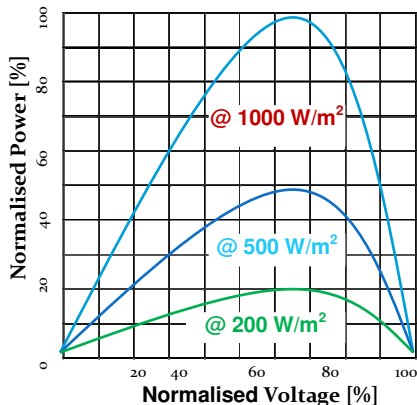
### Frame Design



### Power-Voltage & Current-Voltage Curves



### Normalised Light-Level Performance



### Test Operating Conditions

- ❖ Temperature: -40 to +85 degree C
- ❖ Static Load : 50 psf (2400 Pa)
- ❖ Humidity : 85% RH
- ❖ Impact Resistance:

### Product Warranty & Power Guarantee

Warranty: 10 year against manufacturing defects

Power Guarantee: 90% of rated power for first 10 years & 80% of rated power for 25 years.