



SOVA POWER LIMITED

www.sovasolar.com

SS220P Series 60 cells/ 215Wp-240WP

- **Excellent Power Output (+3/-0%)**
- **10 Year Limited Product Warranty**
- **25 Year Linear Power Guarantee**
- **High Low-Light Performance**
- **High Performance Modules with efficiency up to 15.0%**

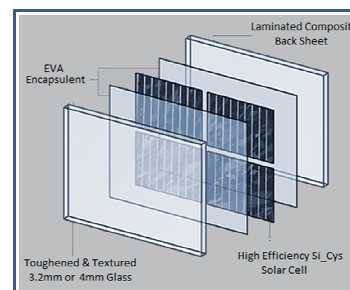


Features

- Ultra-clear 4 mm toughened and textured glass
- Multi layer tedlar® and Fast Cure EVA
- Reinforced anodized aluminium frame
- Pre-drilled frame for easy mounting
- IP-65 rated Junction Box
- Solar MC4 compatible connector

Construction Characteristics

- Frame
- Glass
- EVA
- Cells
- Back sheet



Application

- On-grid systems
- BIPV
- Solar farms
- Standalone (off-grid) systems

Certifications

- TUV Certified: IEC 61625 & IEC 61730
- UL Listed: UL 1703
- CEC Registered
- MNRE (India) Certified
- ISO 9001 – 2008; ISO 14001 - 2004





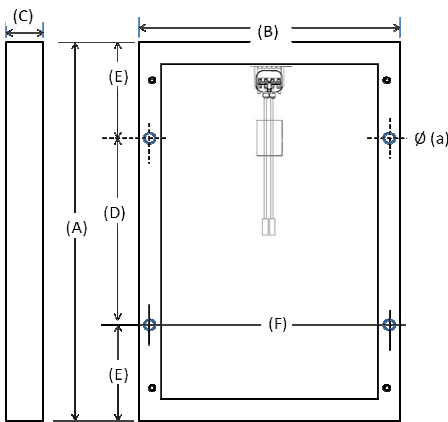
SOVA POWER LIMITED

www.sovasolar.com

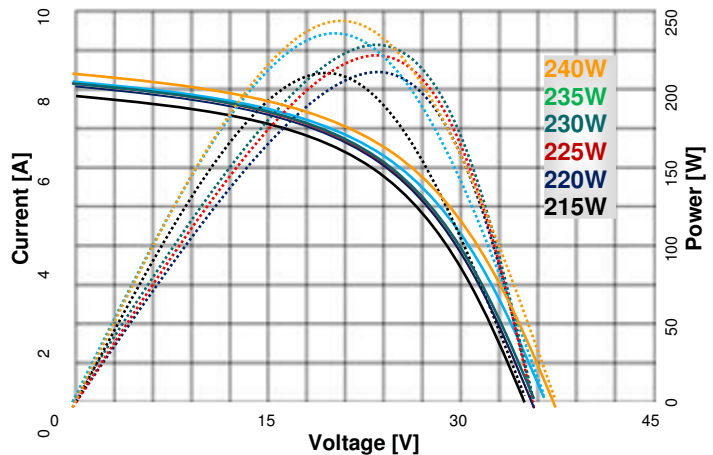


Specifications	SS215P	SS220P	SS225P	SS230P	SS235P	SS240P
Cell	Multicrystalline Solar Cell 156 x 156 mm					
Characteristics						
Open circuit voltage (VOC)	36.10V	36.36V	36.60V	36.84V	36.96V	37.20V
Optimum operating voltage (Vmp)	29.40V	29.64V	29.88V	30.12V	30.24V	30.48V
Short circuit current	7.94A	8.00A	8.06A	8.12A	8.15A	8.21A
Optimum operating current (Imp)	7.33A	7.45A	7.56A	7.66A	7.78A	7.89A
Power at STC (Pmax)	215W	220W	225W	230W	235W	240W
Temperature coefficient for Voc/%C	-0.34%	-0.34%	-0.34%	-0.34%	-0.34%	-0.34%
Temperature coefficient for power/%C	-0.43%	-0.43%	-0.43%	-0.43%	-0.43%	-0.43%
NOCT	47°C	47°C	47°C	47°C	47°C	47°C
NOCT = Irradiance level 800 W/m ² , spectrum AM 1.5, wind velocity 1 m/s, Tamb 20°C						
Module Dimension						
Weight	22.7kg					
Dimension of module (A) x (B) x (C)	1639 X 982 x 35 mm or 42 mm					
Mounting hole dia ϕa	7mm					
Mounting hole CTC distance - vertical (D)	820 mm					
Mounting hole distance from corner (E)	409.5 mm					
Mounting hole CTC distance - horizontal (F)	946 mm					

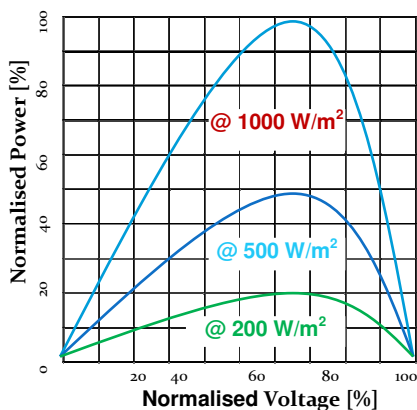
Frame Design



Power-Voltage & Current-Voltage Curves



Normalised Light-Level Performance



Test Operating Conditions

- ❖ Temperature: -40 to +85 degree C
- ❖ Static Load : 50 psf (2400 Pa)
- ❖ Humidity : 85% RH
- ❖ Impact Resistance:

Product Warranty & Power Guarantee

Warranty: 10 year against manufacturing defects

Power Guarantee: 90% of rated power for first 10 years & 80% of rated power for 25 years.