



SUNSYSTEM®

Energy from the sun

SUNSYSTEM 10m (36 cells)

Photovoltaic modules

Made in EU

Crystalline modules with fully positive tolerance.

Yield guaranteed for 25 years.

Individual flash test record for each module.

Electrical specifications:	
Maximum power Pmax	10 Wp
Tolerance	+ 3% - 0%
Voltage at max power Vmp	18,0 V
Current at max power Imp	0,56 A
Open circuit voltage Voc	22,2 V
Short circuit current Isc	0,62 A
Cell efficiency	15,6%
Module efficiency	12,5%

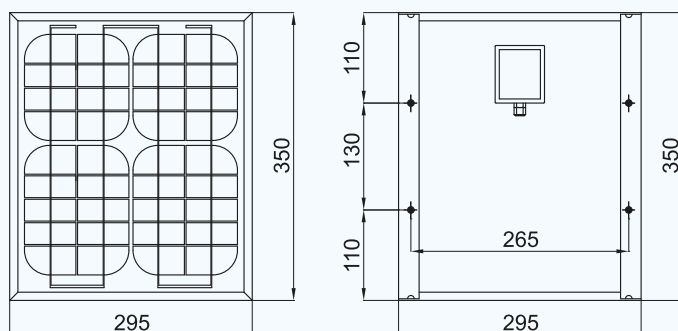
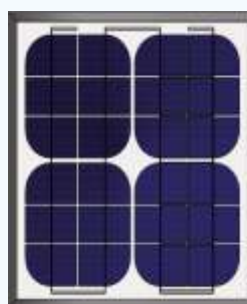
* STC (Standard test conditions) : Irradiation 1000 W/m², ambient temperature 25°C, Spectre AM 1.5

Physical specifications:	
Overall dimensions	350 x 295 x 25 mm
Number of cells	36 (4 x 9)
Size of cells	62,5 x 41,6 mm
Weight	1,5 kg
Type of cell	monocrystalline
Frame	aluminum
Junction box	TÜV certified
Back side	TPT
Front side	Tempered glass 3,2 mm

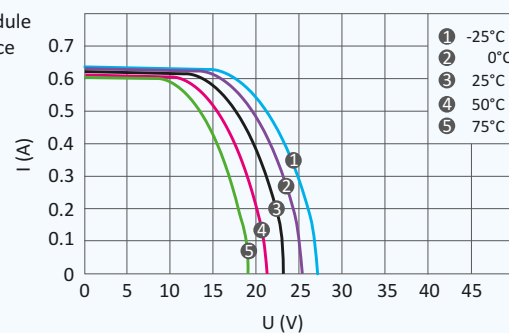
*Cable and connector are not included

Temperature coefficients:	
NOCT	48°C ± 2°C
Temp. coeff. of Pmax	- (0,5 ± 0,05) % / °C
Temp. coeff. of Vmp	- 0,38 % / °C
Temp. coeff. of Imp	+ 0,1 % / °C
Temp. coeff. of Voc	- (0,3 ± 0,05) % / °C
Temp. coeff. of Isc	+ 0,065 % / °C

Limitations:	
Max. system voltage	1000 V DC
Temperature range	-40°C - +85/ °C
Max. physical load	2400 Pa



I-V characteristic of module temperature dependence



Warranty and certificates:	
Workmanship and material	10 years
80% of the min.peak power	25 years
Certified in accord. with IEC 61215:2005 & EN 61730:2007	

