



CRM265S125M-96  
CRM260S125M-96  
CRM255S125M-96  
CRM250S125M-96  
CRM245S125M-96  
CRM240S125M-96  
CRM235S125M-96



# PHOTOVOLTAIC MODULE

CRM265S125M-96—CRM235S125M-96

## FEATURES



Easily assemble and disassemble with patent for 45° and 90° corner



Graceful and artistic, convenient to install



High output, 15.53% highest conversion efficiency



Claim solution response within 48 hours



High surface load capacity of 2400Pa



100% EL double-inspection, with no potential crack or current-mismatch.

## QUALITY AND SAFETY

- 25-year power output transferable warranty (80% of minimum output power)
- 10-year product warranty
- Product Liability Insurance and Quality Insurance
- Excellent soldering technology with constant temperature control, no over-soldering or poor soldering.
- Certified by authentic international standard UL1703, conformity to CE
- Rigorous quality control meeting the highest international standards ISO 9001:2008 (Quality Management System) and ISO 14001:2004 (Environment Management System)

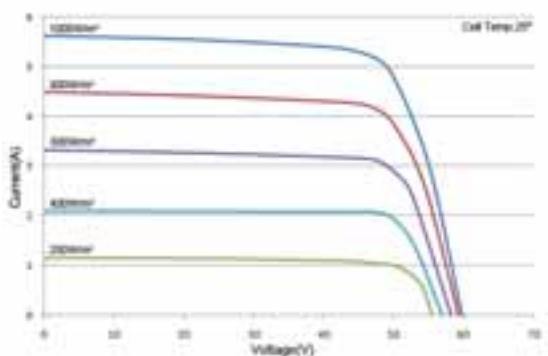
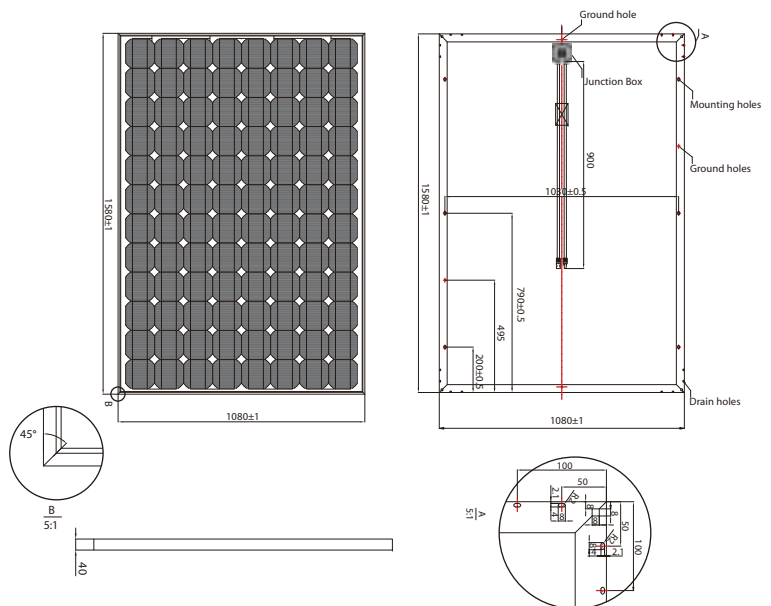
MODEL	CRM265S 125M-96	CRM260S 125M-96	CRM255S 125M-96	CRM250S 125M-96	CRM245S 125M-96	CRM240S 125M-96	CRM235S 125M-96
Nominal Maximum Output	265W	260W	255W	250W	245W	240W	235W
Nominal Open Circuit Voltage	60.3V	60.2V	60.1V	60.0V	59.8V	59.6V	59.3V
Nominal Short Circuit Current	5.71A	5.64A	5.56A	5.48A	5.41A	5.36A	5.33A
Nominal Maximum Output Voltage	49.9V	49.7V	49.5V	49.2V	48.8V	48.4V	48.2V
Nominal Maximum Output Current	5.31A	5.23A	5.15A	5.08A	5.02A <td 4.96A	4.88A	
Conversion Efficiency	15.53%	15.24%	14.94%	14.65%	14.36%	14.06%	13.77%
Nominal Mass	20Kg						
Dimensions	1580x1080x40mm (assembled by rivets)						
Cells	96pcs monocrystalline(12x8)						
Cells Dimensions	125x125mm						
Maximum System Voltage	"1000v European standard / 600v American standard"						

### Temperature and Coefficients

NOCT	46±2°C
Temperature Coefficients of Isc	+0.03769%/K
Temperature Coefficients of Voc	-0.34997%/K
Temperature Coefficients of Pm	-0.47409%/K

### Limits

Temperature Range	-40°C—85°C
Surface Maximum Load Capacity	2400Pa
Max Reverse Current Load	15A



◀ IV-CURVES of PV module CRM245S125M-96 ▶

IRRADIANCE: AM 1.5, 1kw/m<sup>2</sup>

