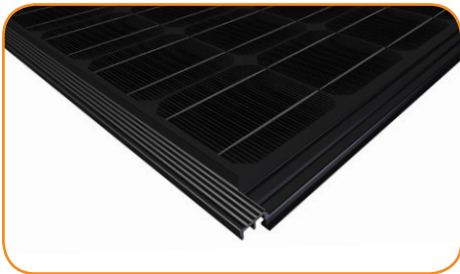


High Power Solar Panel M200-72-b SR

- Highly transparent glass, tempered and toughened
- Self cleaning surface
- Anodised aluminium frame for extreme conditions
- Maximum power supply thanks to its low shunt resistance and high F factor
- 25 years performance guaranteed



Optimal protection



The special solar glass is highly transparent and has a self cleaning surface. As a result, dirt is reduced and the efficiency increases. The panel is snow resistant and can resist up to 35mm diameter hailstones as well as a 200kph wind.

High quality solar cells



Nothing but the most efficient cells are used for the M200-72. The cells efficiency level rises up to 18.5%. The M200-72 still produces high levels of current in case of low sun exposure.

Your Megasol supplier



- Qualified, IEC 61215
- Safety tested, IEC 61730
- Periodic Inspection

Megasol Energie AG
Bützbergstrasse 2
CH-4912 Aarwangen

High Power Solar Panel M200-72-b SR

Specifications

STC* 800W/m²**

Voc
44.5 V 41.8 V

Vpm
36.5 V 33.2 V

Isc
5.77 A 4.82 A

Ipm
5.48 A 4.62 A

Max. Power
200 Wp 154 Wp

Cell type
125x125 mm, monocrystalline

Number of cells
72 cells in series

Applications
Grid connected or as a 24V off-grid

Max. system voltage
1000 V

Dimensions
1603 x 800 x 17 mm

Weight
17 kg

Connection box IP65
4 mm² solar cable with MC4 plug

Glass
Tempered and toughened glass

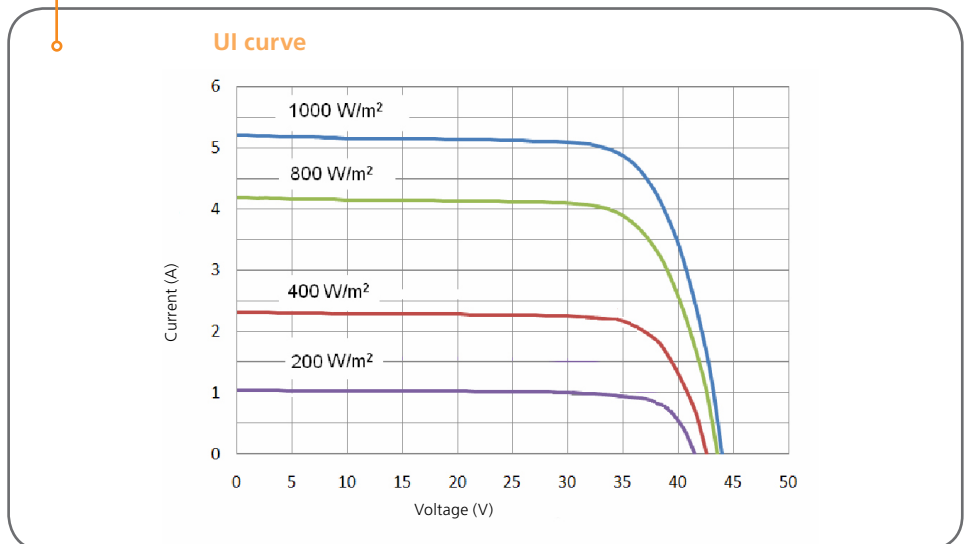
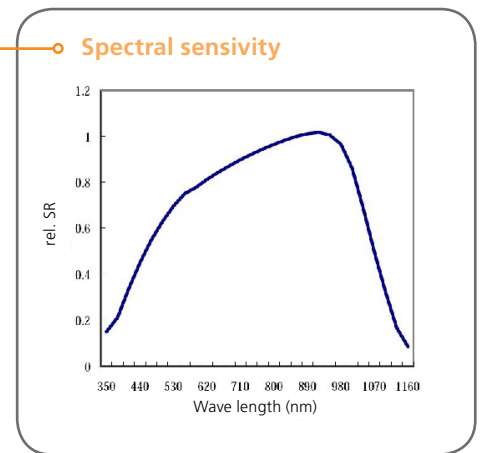
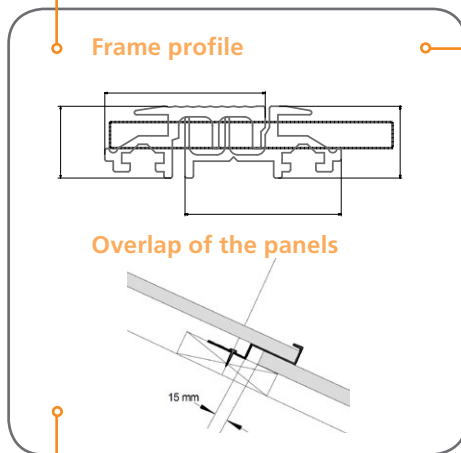
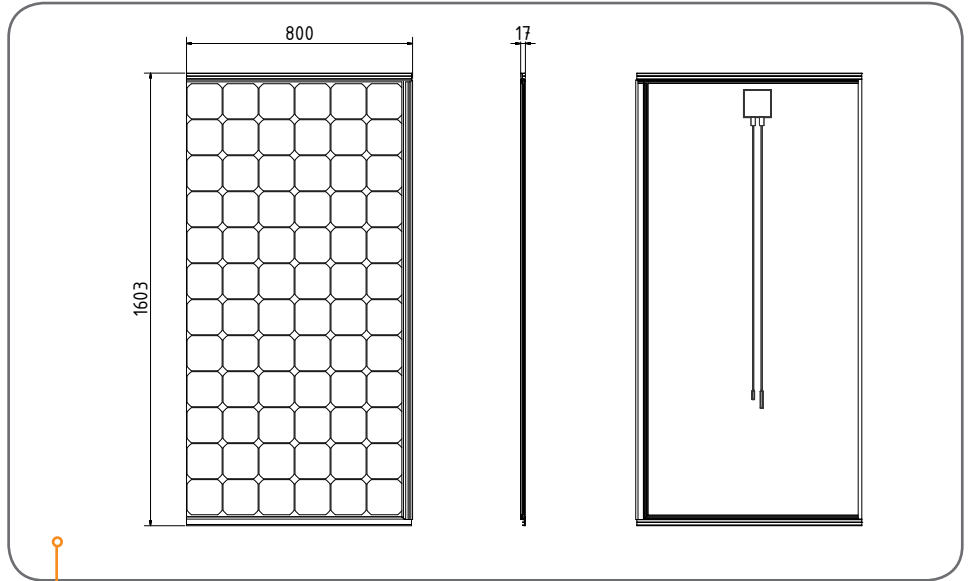
Power tolerance
- 3% / +3%

Cell efficiency level/ Panel efficiency level
18.5%/ 15.7%

Temperature rate
VOC: -0.34%/°C; ISC: +0.09%/°C,
Power: -0.37%/°C

Performance warranty***
80% performance over 25 years
90% performance over the first 10 years

Protection class: Class A, SKII
Max. reverse current: 20 A
Recommended string fuse: 8 A, Max. 15 A



*Standardized measures (STC), radiation:1000W/m², cell temperature: 25°C, AM 1.5
**800W/m², NOCT (45°C), AM 1.5
***More about the performance warranty on www.megasol.ch

Megasol Energie AG
Bützbergstrasse 2
4912 Aarwangen

Tel. 062 919 90 90
Fax: 062 919 90 99
info@megasol.ch