



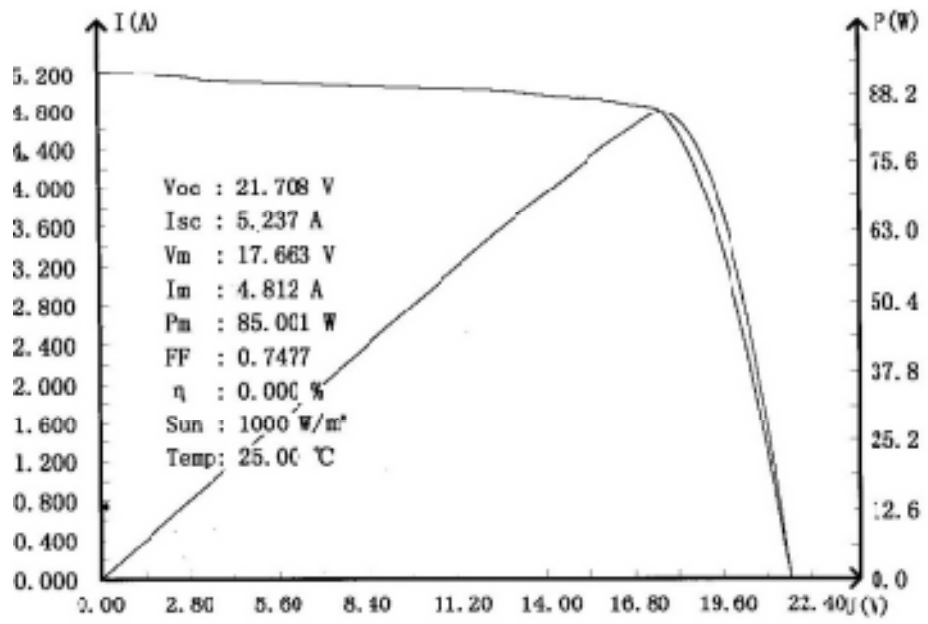
SHENZHEN ZHIHE SLOAR ELECTORIC CO.,ltd

Building, Room 1012 Led Solar Silicon Valley Queshan Dalang Longhua ShenZhen

Web:www.zhihesolar.com

Model(ZH85CE-18P)Specifications	
ITEM NO.:	ZH85CE-18P
Maximum Power(W)	85
Optimum Power Voltage(Vmp)	17.71
Optimum Operatige Current(Imp)	4.79
Open Circuit Voltage(Voc)	21.70
Short Circuit Current(Isc)	5.13
Solar Cell:	156*104 Poly
Number of Cell(pcs)	4*9
Brand Name of Solar Cells	Jetion Cell
Size of Module(mm)	995*668*35
Front Glass Thikness(mm)	3.2
Temperature Coefficients of Isc(%)°C	+0.04
Temperature Coefficients of Voc(%)°C	-0.38
Temperature Coefficients of Pm(%)°C	-0.47
Temperature Coefficients of Im(%)°C	+0.04
Temperature Coefficients of Vm(%)°C	-0.38
Temperature Range	-40°C to +85°C
Tolerance Wattage(e.g.+/-5%)	±5%
Surface Maximum Load Capacity	2400Pa
Allowable Hail Load	23m/s ,7.53g
Weight Per Piece(KG)	9.00
Bypass Diode Rating(A)	10
Cell Efficiency (%)	14.55%
Module Efficiency (%)	12.78%
Frame(Material Corners,etc.)	35#
Backing (Brand Type)	TPT
Warranty	90% of 10 years,80% of 25 years.
Standard Test Conditions	AM1.5 1000W/m ² 25 +/-2°C
FF (%)	70-76%

IV Curve



Building, Room 1012 Led Solar Silicon Valley Queshan Dalang Longhua ShenZhen

Web:www.zhihesolar.com

Model(ZH90CE-18P)Specifications	
ITEM NO.:	ZH90CE-18P
Maximum Power(W)	90
Optimum Power Voltage(Vmp)	18.14
Optimum Operatige Current(Imp)	4.96
Open Circuit Voltage(Voc)	21.18
Short Circuit Current(Isc)	5.30
Solar Cell:	156*104 Poly
Number of Cell(pcs)	4*9
Brand Name of Solar Cells	Jetion Cell
Size of Module(mm)	995*668*35
Front Glass Thikness(mm)	3.2
Temperature Coefficients of Isc(%) °C	+0.04
Temperature Coefficients of Voc(%) °C	-0.38
Temperature Coefficients of Pm(%) °C	-0.47
Temperature Coefficients of Im(%) °C	+0.04
Temperature Coefficients of Vm(%) °C	-0.38
Temperature Range	-40°C to +85°C
Tolerance Wattage(e.g.+/-5%)	±5%
Surface Maximum Load Capacity	2400Pa
Allowable Hail Load	23m/s ,7.53g
Weight Per Piece(KG)	9.00
Bypass Diode Rating(A)	10
Cell Efficiency (%)	15.40%
Module Efficiency (%)	13.54%
Frame(Material Corners,etc.)	35#
Backing (Brand Type)	TPT
Warranty	90% of 10 years,80% of 25 years.
Standard Test Conditions	AM1.5 1000W/m ² 25 +/-2°C
FF (%)	70-76%

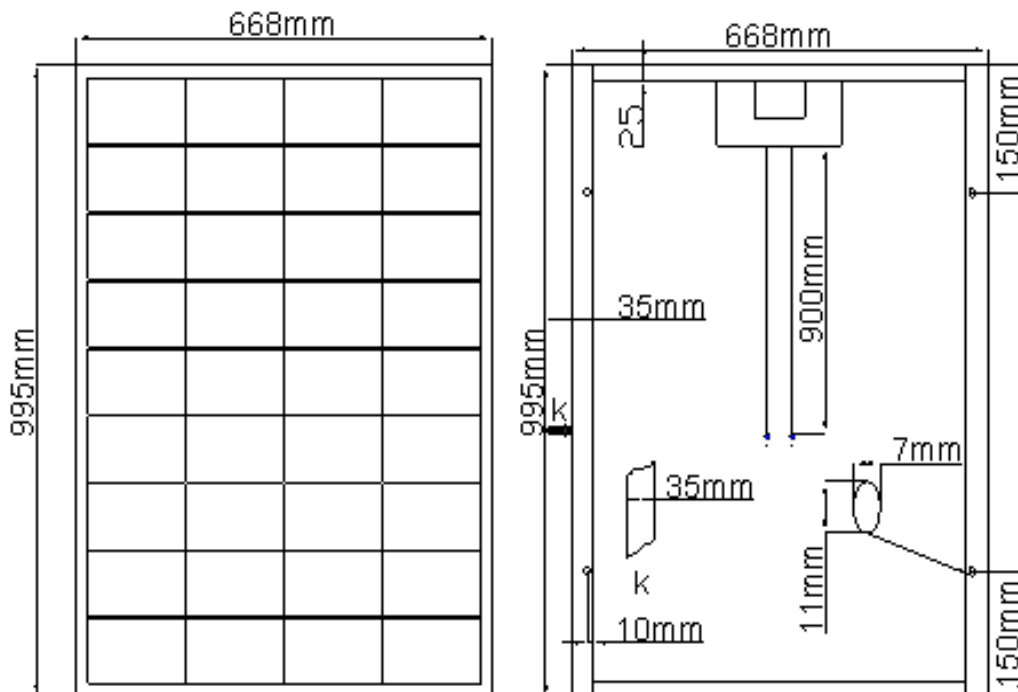
Model(ZH90CE-18P)

Specification

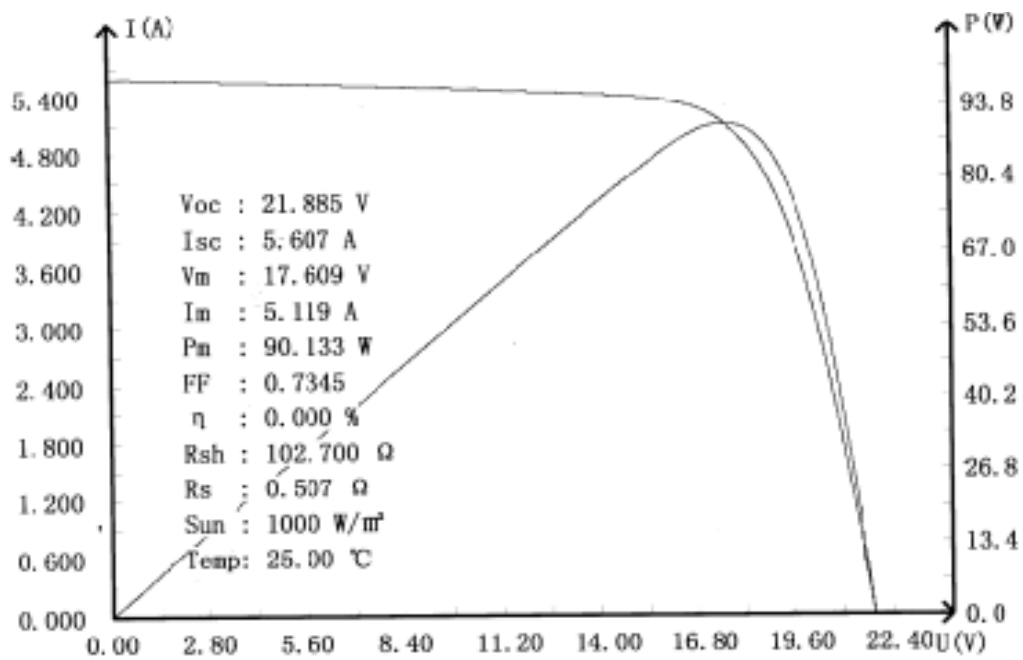
ZhiHe Solar Module

Using high quality materials to provide high quality solar modules

- 1.Solar cells:Jetion cells
- 2.Glass:Fiat 's from Shanghai
- 3.EVA:First Hot-Melt Adhesive from Hangzhou China
- 4.TPT:JOLYWOOD from Suzhou,China
- 5.Junction box and connectors:GZX from Cixi,China or Rehe from Cixi,China
- 6.Silica gel:Dow Corning



IV Curve



Building, Room 1012 Led Solar Silicon Valley Queshan Dalang Longhua ShenZhen

Web:www.zhihesolar.com

Model(ZH95CE-18P)Specifications	
ITEM NO.:	SL95CE-18P
Maximum Power(W)	95
Optimum Power Voltage(Vmp)	18.36
Optimum Operatige Current(Imp)	5.17
Open Circuit Voltage(Voc)	21.92
Short Circuit Current(Isc)	5.53
Solar Cell:	156*104 Poly
Number of Cell(pcs)	4*9
Brand Name of Solar Cells	Jetion Cell
Size of Module(mm)	995*668*35
Front Glass Thikness(mm)	3.2
Temperature Coefficients of Isc(%)°C	+0.04
Temperature Coefficients of Voc(%)°C	-0.38
Temperature Coefficients of Pm(%)°C	-0.47
Temperature Coefficients of Im(%)°C	+0.04
Temperature Coefficients of Vm(%)°C	-0.38
Temperature Range	-40°C to +85°C
Tolerance Wattage(e.g.+/-5%)	±5%
Surface Maximum Load Capacity	2400Pa
Allowable Hail Load	23m/s ,7.53g
Weight Per Piece(KG)	9.00
Bypass Diode Rating(A)	10
Cell Efficiency (%)	16.26%
Module Efficiency (%)	14.29%
Frame(Material Corners,etc.)	35#
Backing (Brand Type)	TPT
Warranty	90% of 10 years,80% of 25 years.
Standard Test Conditions	AM1.5 1000W/m ² 25 +/-2°C
FF (%)	70-76%

Model(ZH95CE-18P)

Specification

ZhiHe Solar Module

Using high quality materials to provide high quality solar modules

- 1.Solar cells:Jetion cells
- 2.Glass:Fiat 's from Shanghai
- 3.EVA:First Hot-Melt Adhesive from Hangzhou China
- 4.TPT:JOLYWOOD from Suzhou,China
- 5.Junction box and connectors:GZX from Cixi,China or Rehe from Cixi,China
- 6.Silica gel:Dow Corning

