

Building, Room 1012 Led Solar Silicon Valley Queshan Dalang Longhua ShenZhen

Web:www.zhihesolar.com

Model(ZH50CE-18P)Specifications	
ITEM NO.:	ZH50CE-18P
Maximum Power(W)	50
Optimum Power Voltage(Vmp)	17.13
Optimum Operatige Current(Imp)	2.91
Open Circuit Voltage(Voc)	21.63
Short Circuit Current(Isc)	3.12
Solar Cell:	156*65 Poly
Number of Cell(pcs)	4*9
Brand Name of Solar Cells	Jetion Cell
Size of Module(mm)	655*668*35
Front Glass Thikness(mm)	3.2
Temperature Coefficients of Isc(%)°C	+0.04
Temperature Coefficients of Voc(%)°C	-0.38
Temperature Coefficients of Pm(%)°C	-0.47
Temperature Coefficients of Im(%)°C	+0.04
Temperature Coefficients of Vm(%)°C	-0.38
Temperature Range	-40°C to +85°C
Tolerance Wattage(e.g. +/-5%)	±5%
Surface Maximum Load Capacity	2400Pa
Allowable Hail Load	23m/s ,7.53g
Weight Per Piece(KG)	6.30
Bypass Diode Rating(A)	10
Cell Efficiency (%)	14.13%
Module Efficiency (%)	11.42%
Frame(Material Corners,etc.)	35#
Backing (Brand Type)	TPT
Warranty	90% of 10 years,80% of 25 years.
Standard Test Conditions	AM1.5 1000W/m ² 25 +/-2°C
FF (%)	70-76%

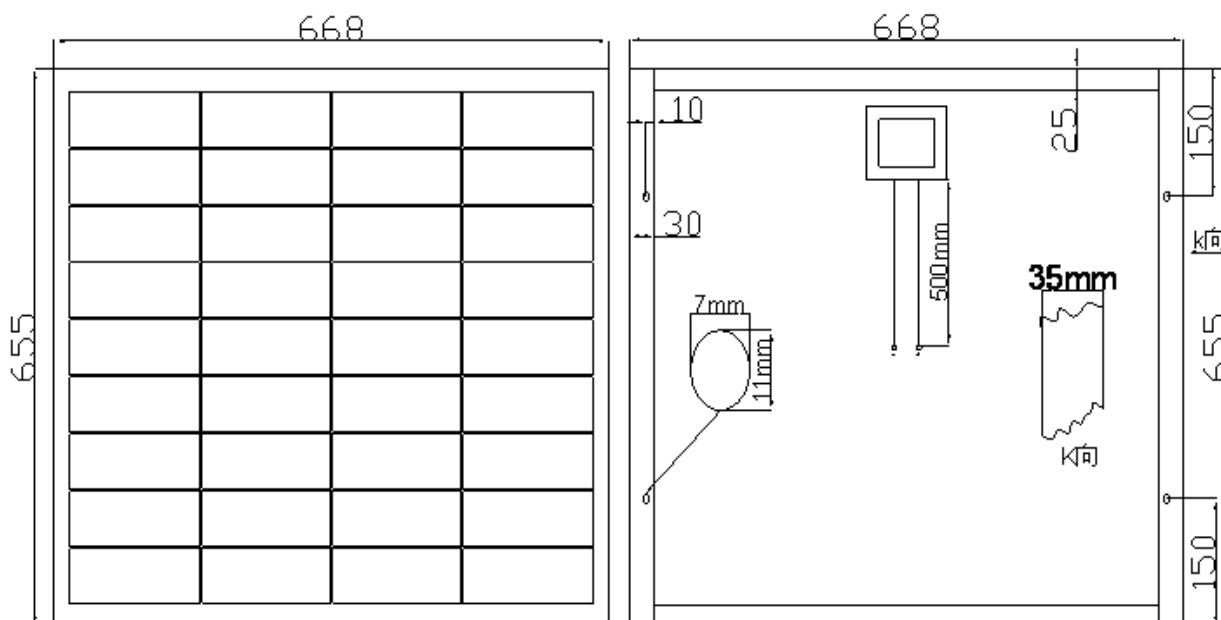
Model(ZH50CE-18P)

Specification

ZhiHe Solar Module

Using high quality materials to provide high quality solar modules

- 1.Solar cells:Jetion cells
- 2.Glass:Fiat 's from Shanghai
- 3.EVA:First Hot-Melt Adhesive from Hangzhou China
- 4.TPT:JOLYWOOD from Suzhou,China
- 5.Junction box and connectors:GZX from Cixi,China or Rehe from Cixi,China
- 6.Silica gel:Dow Corning





SHENZHEN ZHIHE SLOAR ELECTORIC CO.,Ltd

Building, Room 1012 Led Solar Silicon Valley Queshan Dalang Longhua ShenZhen

Web:www.zhihesolar.com

Model(ZH55CE-18P)Specifications	
ITEM NO.:	ZH55CE-18P
Maximum Power(W)	55
Optimum Power Voltage(Vmp)	18.14
Optimum Operatige Current(Imp)	3.04
Open Circuit Voltage(Voc)	21.81
Short Circuit Current(Isc)	3.24
Solar Cell:	156*65 Poly
Number of Cell(pcs)	4*9
Brand Name of Solar Cells	Jetion Cell
Size of Module(mm)	655*668*35
Front Glass Thikness(mm)	3.2
Temperature Coefficients of Isc(%) ^{°C}	+0.04
Temperature Coefficients of Voc(%) ^{°C}	-0.38
Temperature Coefficients of Pm(%) ^{°C}	-0.47
Temperature Coefficients of Im(%) ^{°C}	+0.04
Temperature Coefficients of Vm(%) ^{°C}	-0.38
Temperature Range	-40 ^{°C} to +85 ^{°C}
Tolerance Wattage(e.g. +/-5%)	±5%
Surface Maximum Load Capacity	2400Pa
Allowable Hail Load	23m/s ,7.53g
Weight Per Piece(KG)	6.30
Bypass Diode Rating(A)	10
Cell Efficiency (%)	15.50%
Module Efficiency (%)	12.57%
Frame(Material Corners,etc.)	35#
Backing (Brand Type)	TPT
Warranty	90% of 10 years,80% of 25 years.
Standard Test Conditions	AM1.5 1000W/m ² 25 +/-2 ^{°C}
FF (%)	70-76%

Model(ZH55CE-18P) Specification

ZhiHe Solar Module

Using high quality materials to provide
high quality solar modules

- 1.Solar cells:Jetion cells
- 2.Glass:Fiat 's from Shanghai
- 3.EVA:First Hot-Melt Adhesive from Hangzhou China
- 4.TPT:JOLYWOOD from Suzhou,China
- 5.Junction box and connectors:GZX from Cixi,China or Rehe from Cixi,China
- 6.Silica gel:Dow Corning

