



# SHENZHEN ZHIHE SLOAR ELECTORIC CO.,Ltd

Building, Room 1012 Led Solar Silicon Valley Queshan Dalang Longhua ShenZhen

Web:www.zhihesolar.com

<b>Model(ZH35CE-18P)Specifications</b>	
<b>ITEM NO.:</b>	<b>ZH35CE-18P</b>
Maximum Power(W)	35
Optimum Power Voltage(Vmp)	17.49
Optimum Operatige Current(Imp)	2.00
Open Circuit Voltage(Voc)	21.67
Short Circuit Current(Isc)	2.14
Solar Cell:	156*52 Poly
Number of Cell(pcs)	4*9
Brand Name of Solar Cells	Jetion Cell
Size of Module(mm)	668*545*35
Front Glass Thikness(mm)	3.2
Temperature Coefficients of Isc(%)°C	+0.04
Temperature Coefficients of Voc(%)°C	-0.38
Temperature Coefficients of Pm(%)°C	-0.47
Temperature Coefficients of Im(%)°C	+0.04
Temperature Coefficients of Vm(%)°C	-0.38
Temperature Range	-40°C to +85°C
Tolerance Wattage(e.g. +/-5%)	±5%
Surface Maximum Load Capacity	2400Pa
Allowable Hail Load	23m/s ,7.53g
Weight Per Piece(KG)	4.30
Bypass Diode Rating(A)	10
Cell Efficiency (%)	12.50%
Module Efficiency (%)	9.59%
Frame(Material Corners,etc.)	35#
Backing (Brand Type)	TPT
Warranty	90% of 10 years,80% of 25 years.
Standard Test Conditions	AM1.5 1000W/m <sup>2</sup> 25 +/-2°C
FF (%)	70-76%

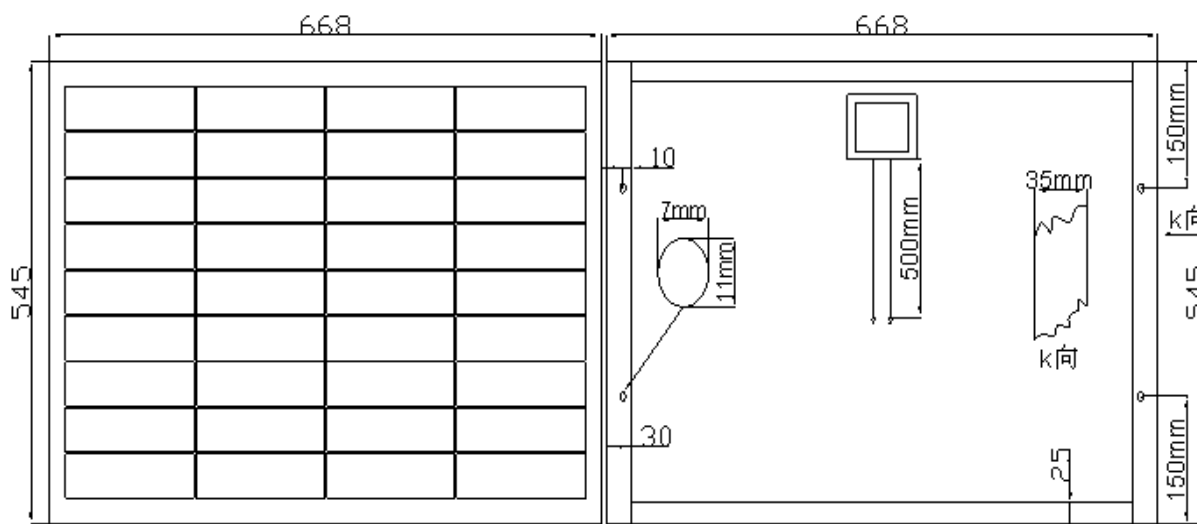
## Model(ZH35CE-18P)

## Specification

### ZhiHe Solar Module

Using high quality materials to provide  
high quality solar modules

- 1.Solar cells:Jetion cells
- 2.Glass:Fiat 's from Shanghai
- 3.EVA:First Hot-Melt Adhesive from Hangzhou China
- 4.TPT:JOLYWOOD from Suzhou,China
- 5.Junction box and connectors:GZX from Cixi,China or Rehe from Cixi,China
- 6.Silica gel:Dow Corning



Building, Room 1012 Led Solar Silicon Valley Queshan Dalang Longhua ShenZhen

Web:www.zhihesolar.com

<b>Model(ZH40CE-18P)Specifications</b>	
<b>ITEM NO.:</b>	<b>ZH40CE-18P</b>
Maximum Power(W)	40
Optimum Power Voltage(Vmp)	17.49
Optimum Operatige Current(Imp)	2.28
Open Circuit Voltage(Voc)	21.67
Short Circuit Current(Isc)	2.44
Solar Cell:	156*52 Poly
Number of Cell(pcs)	4*9
Brand Name of Solar Cells	Jetion Cell
Size of Module(mm)	668*545*35
Front Glass Thickness(mm)	3.2
Temperature Coefficients of Isc(%)°C	+0.04
Temperature Coefficients of Voc(%)°C	-0.38
Temperature Coefficients of Pm(%)°C	-0.47
Temperature Coefficients of Im(%)°C	+0.04
Temperature Coefficients of Vm(%)°C	-0.38
Temperature Range	-40°C to +85°C
Tolerance Wattage(e.g.+/-5%)	±5%
Surface Maximum Load Capacity	2400Pa
Allowable Hail Load	23m/s ,7.53g
Weight Per Piece(KG)	4.30
Bypass Diode Rating(A)	10
Cell Efficiency (%)	13.69%
Module Efficiency (%)	10.96%
Frame(Material Corners,etc.)	35#
Backing (Brand Type)	TPT
Warranty	90% of 10 years,80% of 25 years.
Standard Test Conditions	AM1.5 1000W/m <sup>2</sup> 25 +/-2°C
FF (%)	70-76%

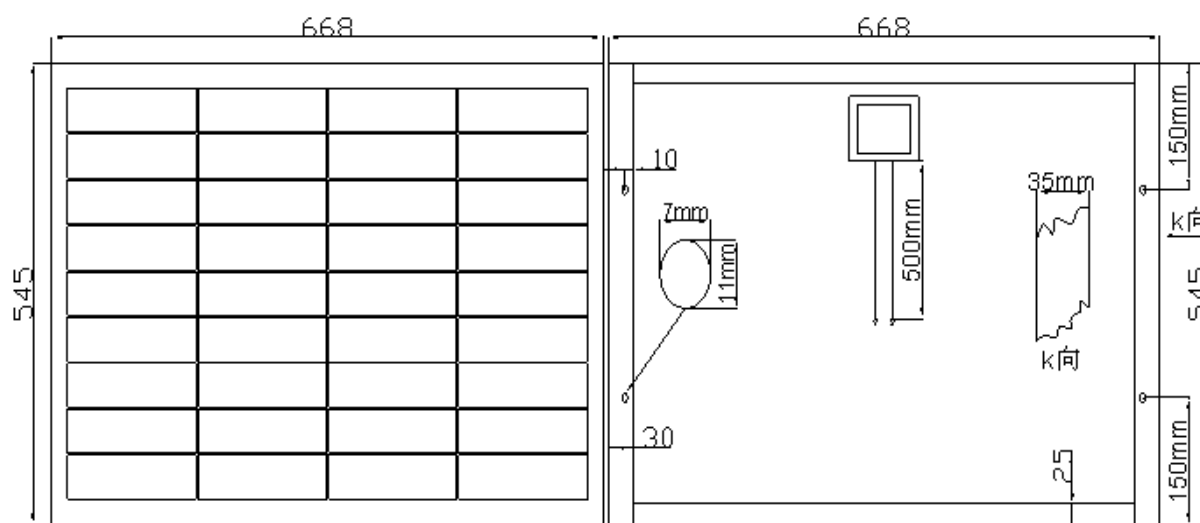
## Model(ZH40CE-18P)

## Specification

### ZhiHe Solar Module

Using high quality materials to provide high quality solar modules

- 1.Solar cells:Jetion cells
- 2.Glass:Flat 's from Shanghai
- 3.EVA:First Hot-Melt Adhesive from Hangzhou China
- 4.TPT:JOLYWOOD from Suzhou,China
- 5.Junction box and connectors:GZX from Cixi,China or Rehe from Cixi,China
- 6.Silica gel:Dow Corning





# SHENZHEN ZHIHE SLOAR ELECTORIC CO.,Ltd

Building, Room 1012 Led Solar Silicon Valley Queshan Dalang Longhua ShenZhen

Web:www.zhihesolar.com

<b>Model(ZH45CE-18P)Specifications</b>	
ITEM NO.:	ZH45CE-18P
Maximum Power(W)	45
Optimum Power Voltage(Vmp)	18.14
Optimum Operatige Current(Imp)	2.48
Open Circuit Voltage(Voc)	21.81
Short Circuit Current(Isc)	2.65
Solar Cell:	156*52 Poly
Number of Cell(pcs)	4*9
Brand Name of Solar Cells	Jetion Cell
Size of Module(mm)	668*545*35
Front Glass Thikness(mm)	3.2
Temperature Coefficients of Isc(%)°C	+0.04
Temperature Coefficients of Voc(%)°C	-0.38
Temperature Coefficients of Pm(%)°C	-0.47
Temperature Coefficients of Im(%)°C	+0.04
Temperature Coefficients of Vm(%)°C	-0.38
Temperature Range	-40°C to +85°C
Tolerance Wattage(e.g. +/-5%)	±5%
Surface Maximum Load Capacity	2400Pa
Allowable Hail Load	23m/s ,7.53g
Weight Per Piece(KG)	4.30
Bypass Diode Rating(A)	10
Cell Efficiency (%)	15.40%
Module Efficiency (%)	12.36%
Frame(Material Corners,etc.)	35#
Backing (Brand Type)	TPT
Warranty	90% of 10 years,80% of 25 years.
Standard Test Conditions	AM1.5 1000W/m <sup>2</sup> 25 +/-2°C
FF (%)	70-76%

## Model(ZH45CE-18P)

## Specification

### ZhiHe Solar Module

Using high quality materials to provide  
high quality solar modules

- 1.Solar cells:Jetion cells
- 2.Glass:Fiati 's from Shanghai
- 3.EVA:First Hot-Melt Adhesive from Hangzhou China
- 4.TPT:JOLYWOOD from Suzhou,China
- 5.Junction box and connectors:GZX from Cixi,China or Rehe from Cixi,China
- 6.Silica gel:Dow Corning

