



IGNITE THE POWER OF NATURE

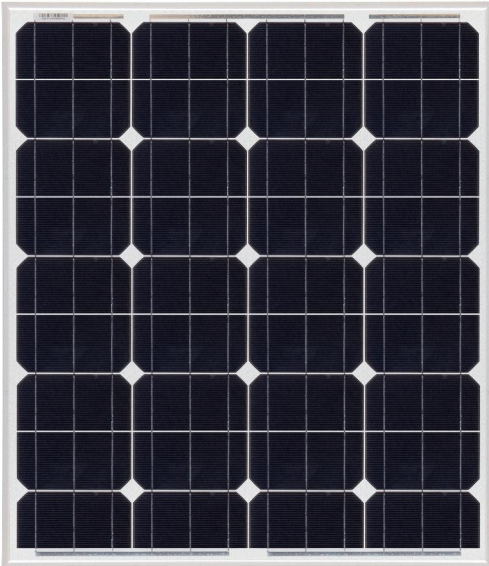
Monocrystalline Module

--small size 75Watt

Model (SL75TU-18MD) Specifications

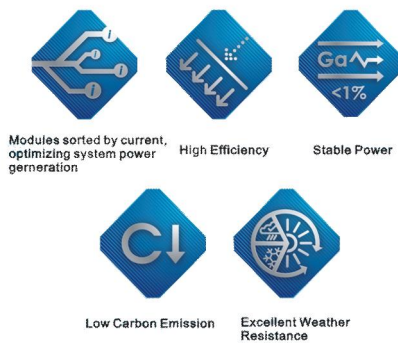
Electrical Data

Maximum Power(W)	75W
Optimum Power Voltage(Vmp)	18.57V
Optimum Operating Current(Imp)	4.04A
Open Circuit Voltage(Voc)	22.64V
Short Circuit Current(Isc)	4.32A
Cell Efficiency (%)	17.96%
Module Efficiency (%)	14.58%
Tolerance Wattage(e.g. +/-3%)	0 +3%
NOCT	47°C +/-2°C



Benefits

- High efficiency solar cells with high transmission and textured glass are delivering high efficiency for modules;
- Bypass diode minimizes the power drop caused by shade;
- Tempered glass, EVA resin, and weatherproof film, plus aluminum frame for extended outdoor use;
- Modules independently tested to ensure conformance with certification and regulatory standards;
- Manufacturing facility certified to ISO 9001 quality management system standards.



Applications

- On-grid residential roof-tops
- On-grid commercial/industrial roof-tops
- Solar power stations
- Other on-grid applications

Temperature Coefficients

Temperature Coefficients of Isc(%)	+0.04
Temperature Coefficients of Voc(%)	-0.38
Temperature Coefficients of Pm(%)	-0.47
Temperature Coefficients of Im(%)	+0.04
Temperature Coefficients of Vm(%)	-0.38





IGNITE THE POWER OF NATURE

Monocrystalline Module --small size 75Watt

Components & Mechanical

Solar Cell	156*78 Mono
Number of Cell(pcs)	4*9
Size of Module(mm)	770*668*35
Front Glass Thikness(mm)	3.2
Surface Maximum Load Capacity	2400-5400Pa
Allowable Hail Load	23m/s ,7.53g
Weight Per Piece(KG)	6.1
Bypass Diode Rating(A)	10
Frame(Material Corners,etc.)	35#
Backing (Brand Type)	TPT
Temperature Range	-40°C to +85°C
FF (%)	70-76%
Standard Test Conditions	AM1.5 1000W/m ² 25°C

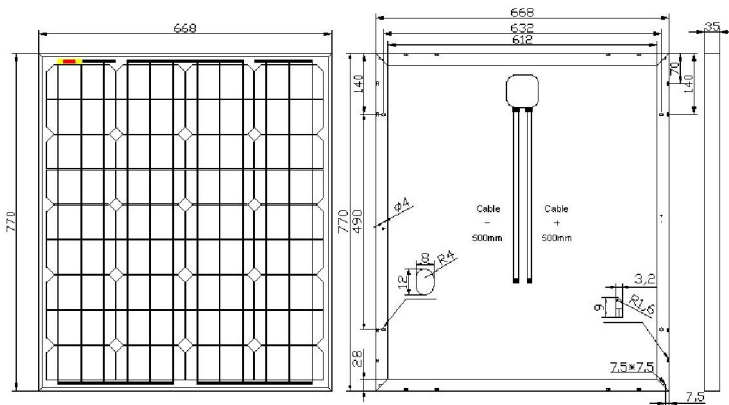
Packing

Packing	Wooden Box
Pieces per container	30pcs/Pallets

Project Picture



Engineering Drawings



©2013 Ningbo Qixin Solar Electrical Appliance Co., Ltd. All rights reserved.
Specifications included in this datasheet are subject to change without notice.



Ningbo Qixin Solar Electrical Appliance Co., Ltd

ADD: No. 37 Jingang Road, Binhai Industrial Park,
Xiangshan County, Ningbo, 315700, China

TEL: 0086 (0)574 25758821

FAX: 0086 (0)574 25758820

E-mail: info@nbqxsolar.com

