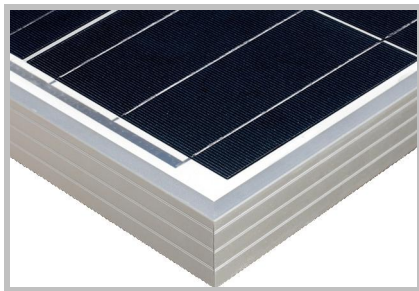
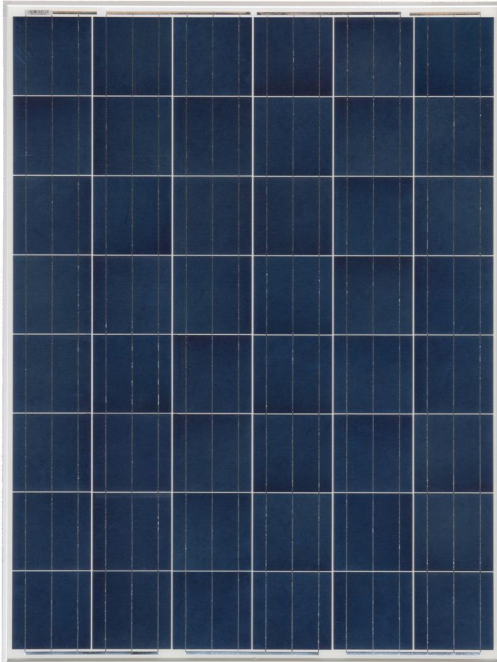




**QXPV**

IGNITE THE POWER OF NATURE

**Polycrystalline Module  
185Watt**



## Model (SL185TU-24P) Specifications

### Electrical Data

Maximum Power(W)	185
Optimum Power Voltage(Vmp)	24.29
Optimum Operating Current(Imp)	7.61
Open Circuit Voltage(Voc)	29.13
Short Circuit Current(Isc)	8.15
Cell Efficiency (%)	16.15
Module Efficiency (%)	14.05
Tolerance Wattage(%)	0~+3%
NOCT	47°C +/-2°C

### Temperature Coefficients

Temperature Coefficients of Isc(%)°C	+0.04
Temperature Coefficients of Voc(%)°C	-0.35
Temperature Coefficients of Pm(%)°C	-0.45
Temperature Coefficients of Im(%)°C	+0.04
Temperature Coefficients of Vm(%)°C	-0.35

### Components & Mechanical Data

Solar Cell	156*156 Poly
Number of Cell(pcs)	6*8
Size of Module(mm)	1330*990*40
Front Glass Thickness(mm)	3.2
Surface Maximum Load Capacity	2400-5400Pa
Allowable Hail Load	23m/s ,7.53g
Weight Per Piece(KG)	16.4
Junction Box Type	Pass the TUV Certificate
Bypass Diode Rating(A)	12
Cable & Connector Type	Pass the TUV Certificate
Frame(Material Corners,etc.)	40#
Backing (Brand Type)	TPT
Temperature Range	-40°C to +85°C
FF (%)	70-76%
Standard Test Conditions	AM1.5 1000W/m² 25°C

## Benefits



Modules sorted by current,  
optimizing system power  
generation



High Efficiency



Stable Power



Low Carbon Emission



Excellent Weather  
Resistance

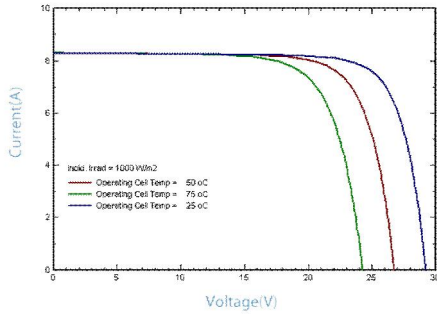




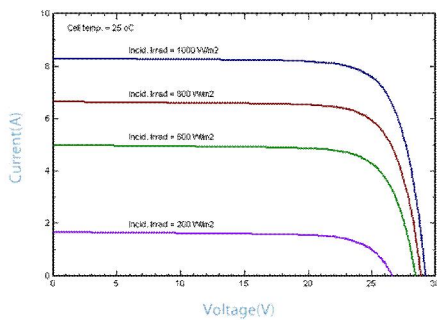
# IGNITE THE POWER OF NATURE

# Polycrystalline Module 185Watt

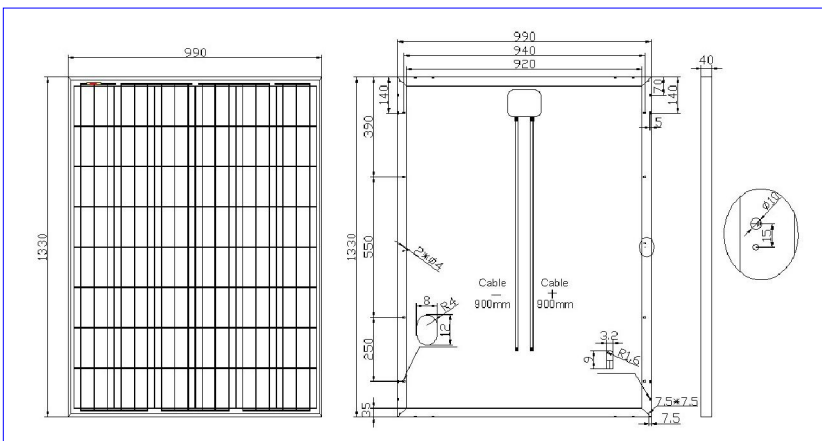
### IV-Curves



IV-CURVES of PV module  
SL185TU-24P



### Engineering Drawings



### Warranty & Certifications

Warranty	25 years limited power warranty
	10 years limited product warranty
Certifications	IEC 61215, IEC 61730

### Packing

Packing	Wooden Box
1*20'	16Pallets/400pcs
1*40'HQ	34Pallets/1000pcs

### Applications

- On-grid residential roof-tops
- On-grid commercial/industrial roof-tops
- Solar power stations
- Other on-grid applications

### Project Picture



Manufacturing facility certified to ISO 9001 / ISO 14001 / OHSAS 18001 quality management system standards.

©2013 Ningbo Qixin Solar Electrical Appliance Co., Ltd. All rights reserved.  
Specifications included in this datasheet are subject to change without notice.



**Ningbo Qixin Solar Electrical Appliance Co., Ltd**  
ADD: No. 37 Jingang Road, Binhai Industrial Park, Xiangshan County, Ningbo, 315700, China  
TEL: 0086 (0)574 25758821  
FAX: 0086 (0)574 25758820  
E-mail: info@nbqxsolar.com

