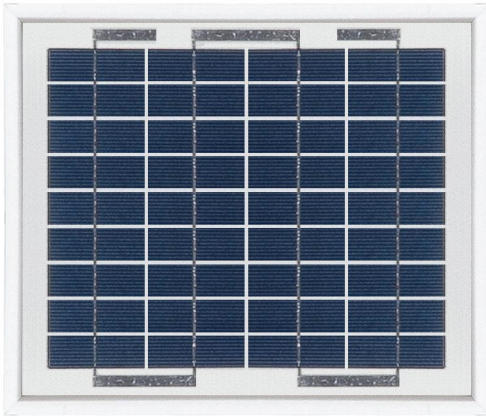


Model (SL5TU-18P) Specifications

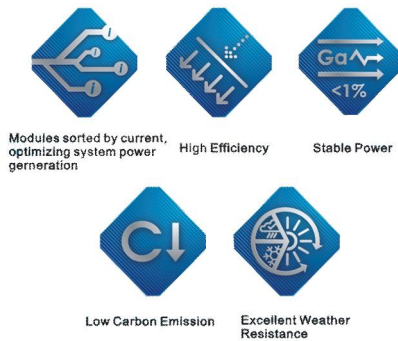
Electrical Data



Maximum Power(W)	5W
Optimum Power Voltage(Vmp)	18.36V
Optimum Operating Current(Imp)	0.27A
Open Circuit Voltage(Voc)	22.00V
Short Circuit Current(Isc)	0.29A
Cell Efficiency (%)	15.72%
Module Efficiency (%)	8.74%
Tolerance Wattage(e.g. +/-3%)	0 +3 %
NOCT	47°C +/-2°C

Benefits

- ❑ High efficiency solar cells with high transmission and textured glass are delivering high efficiency for modules;
- ❑ Bypass diode minimizes the power drop caused by shade;
- ❑ Tempered glass, EVA resin, and weatherproof film, plus aluminum frame for extended outdoor use;
- ❑ Modules independently tested to ensure conformance with certification and regulatory standards;
- ❑ Manufacturing facility certified to ISO 9001 quality management system standards.



Applications

- ❑ On-grid residential roof-tops
- ❑ On-grid commercial/industrial roof-tops
- ❑ Solar power stations
- ❑ Other on-grid applications

Temperature Coefficients

Temperature Coefficients of Isc(%)	+0.04
Temperature Coefficients of Voc(%)	-0.38
Temperature Coefficients of Pm(%)	-0.47
Temperature Coefficients of Im(%)	+0.04
Temperature Coefficients of Vm(%)	-0.38





IGNITE THE POWER OF NATURE

Polycrystalline Module
--small size 5Watt

Components & Mechanical

Solar Cell	52*17.33 Poly
Number of Cell(pcs)	4*9
Size of Module(mm)	260*220*18
Front Glass Thikness(mm)	3.2
Surface Maximum Load Capacity	2400-5400Pa
Allowable Hail Load	23m/s ,7.53g
Weight Per Piece(KG)	0.8
Frame(Material Corners,etc.)	18#
Backing (Brand Type)	TPT
Temperature Range	-40°C to +85°C
FF (%)	70-76%
Standard Test Conditions	AM1.5 1000W/m ² 25°C

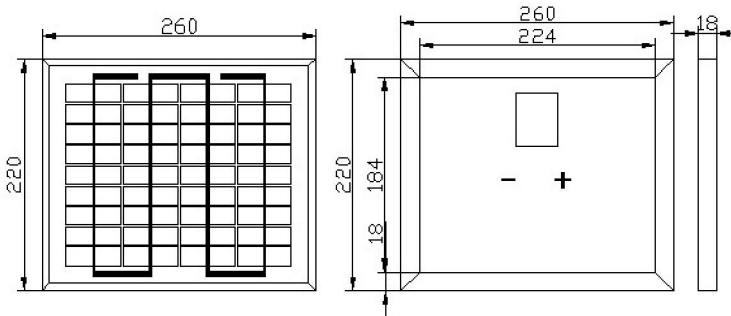
Packing

Packing	Wooden Box
Pieces per container	200pcs/Pallets

Project Picture



Engineering Drawings



©2013 Ningbo Qixin Solar Electrical Appliance Co., Ltd. All rights reserved.
Specifications included in this datasheet are subject to change without notice.



Ningbo Qixin Solar Electrical Appliance Co., Ltd
ADD: No. 37 Jingang Road, Binhai Industrial Park,
Xiangshan County, Ningbo, 315700, China
TEL: 0086 (0)574 25758821
FAX: 0086 (0)574 25758820
E-mail: info@nbqxsolar.com

