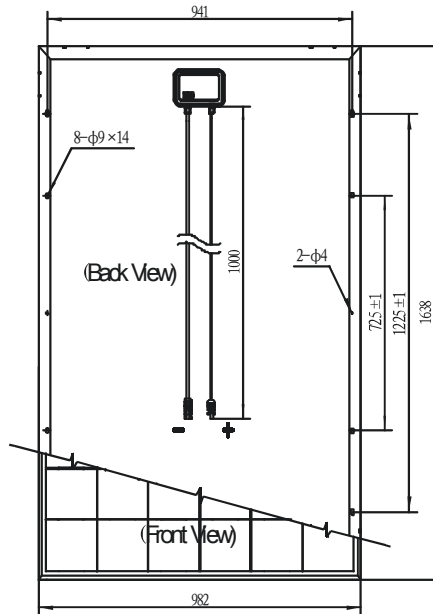
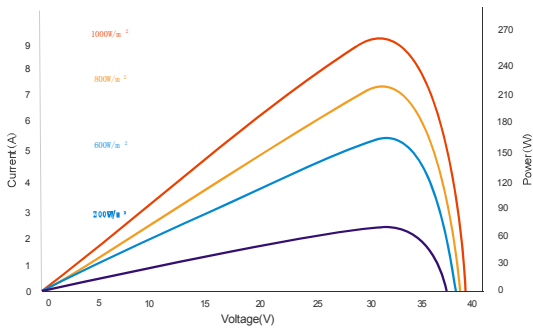


I-V Curves at different Irradiances



All specified Parameters are at STC 25°C Ambient , 1000W/m² irradiance and AM 1.5

STC		Electrical Characteristics				
Type		JT245PLe	JT250PLe	JT255PLe	JT260PLe	JT265PLe
Module Power Range	(W)	250 > Pm ≥ 245	255 > Pm ≥ 250	260 > Pm ≥ 255	255 > Pm ≥ 260	Pm ≥ 265
Max-Power	Pm(W)	245	250	255	260	265
Max-Power Voltage	Vm(V)	30.2	30.4	30.6	30.8	31.0
Max-Power Current	Im(A)	8.16	8.26	8.38	8.50	8.61
Open-Circuit Voltage	Voc(V)	37.3	37.5	37.7	37.9	38.1
Short-Circuit Current	Isc(A)	8.75	8.86	8.98	9.09	9.20
Module Efficiency	(%)	15.2	15.5	15.9	16.2	16.5
Max-System Voltage	(VDC)	600V(UL)/1000V(IEC)				
Max.Series Fuse	(A)	15				
Pm Temperature Coefficients	(%/°C)	-0.42				
Voc Temperature Coefficients	(%/°C)	-0.34				
Isc Temperature Coefficients	(%/°C)	0.04				
NOCT Nominal Operating Cell Temperature		45 ± 2°C				
Maximum load rating		5400Pa(112.78lbf/ft²)				
Class AAA solar simulator (IEC 60904-4), power measurement uncertainty is within ± 3%						

NOCT		JT260PLe	JT265PLe
Max-Power	Pm(W)	189	193
Max-Power Voltage	Vm(V)	27.6	27.9
Max-Power Current	Im(A)	6.86	6.92
Open-Circuit Voltage	Voc(V)	34.9	35.1
Short-Circuit Current	Isc(A)	7.37	7.46

Absolute Ratings	
Dielectric Insulation Voltage	3000V
Operating Temperature (°C)	-40~+85
Storage Temperature (°C)	-40~+85

Packaging Configuration	
Packing Configuration	28 pcs/box
Quantity/Pallet	56 pcs/pallet
Loading Capacity	784 pcs/40ft(H)

Cable type, Diameter and Length	4mm², TUV certified, 1000mm
Type of Connector	Compatible with MC4 plug
Number, type and arrangement of cells	60pcs, multi-Crystalline Silicon(6 x 10)
Cell Size (mm)	156x156
Dimension (mm)	1638x982x35
Weight (Kg)	19.5
No. of Draining Holes in Frame	16
Glass, Type and Thickness	Low Iron, High Transmission, Tempered Glass 3.2mm

NOCT: Irradiance 800W/m², ambient temperature 20°C, AM=1.5, wind speed 1m/s  
 Specifications included in this datasheet are subject to change without prior notice