

## STS-6M- (110-155) P-36 POLY CRYSTALLINE SOLAR MODULES 多晶硅太阳能电池



### PRODUCT OVERVIEW 产品简介

- STS Solar's modules are optimally manufactured and adjusted to meet the needs of the current market; scientifically designed module dimension makes the installation simple and easy.
- 产品符合市场需求，尺寸设计科学合理、安装简便
- Our continuous efforts in quality assurance system and certifications the international authentication institutions of STS Solar's products demonstrate our commitment to product quality and customer requirements.
- 产品性能稳定、质量可靠，已获得国内外权威机构检测认证

### MODULE CHARACTERISTICS 产品特点

- High efficiency crystalline silicon solar cells.
- 高效晶硅太阳能电池片
- High transmission low iron tempered glass, strong mechanical resistance.
- 高透光低铁钢化玻璃
- Standard waterproof junction box, with bypass diode.
- 标准防水接线盒（带二极管）。
- High endurance to different atrocious weather.
- 高耐候性
- Custom designed modules according to clients' requirement.
- 根据客户需求量身定制

### MECHANICAL PARAMETERS 物理性能

Cell(mm)	Poly 156×156
电池片(mm)	多晶 156×156
Weight(kg)	11.7
重量(kg)	11.7
Dimensions(LxWxH)(mm)	1482×676×35
尺寸(LxWxH)(mm)	1482×676×35
Cable Length(mm)	≥900
线缆长度(mm)	≥900
Cable cross section size(mm <sup>2</sup> )	4
线缆截面大小	4
No. of cells and connections	36 (9×4)
电池片数量	36 (9×4)
No. of diodes	2
二极管数量	2
Packing configuration	2pcs/carton
包装	2pcs/carton

### WORKING CONDITIONS 工作条件

Maximum System Voltage	DC 1000V
峰值电压	DC 1000V
Operating Temp.	-40℃~+85℃
工作温度	-40℃~+85℃
Maximum Series Fuse (A)	12
最大保险系数(A)	12
Static loading	≥2400Pa
抗压	≥2400Pa
Grounding conductivity	≤0.1Ω
地表导电率	≤0.1Ω
NOCT	45±2℃
电池额定工作温度	45±2℃
Application Class	Class A
应用等级	A 级
Insulation Resistance	≥100MΩ
绝缘电阻	≥100MΩ

### GUARANTEE 质量保证

10-year limited product warranty.

十年产品质保

Limited performance warranty: 10 years at 90% of the minimal rated power output, 25 years at 80% of the minimal rated power out

功率保证：输出功率 10 年内不低于额定功率的 90%，25 年内不低于额定功率的 80%

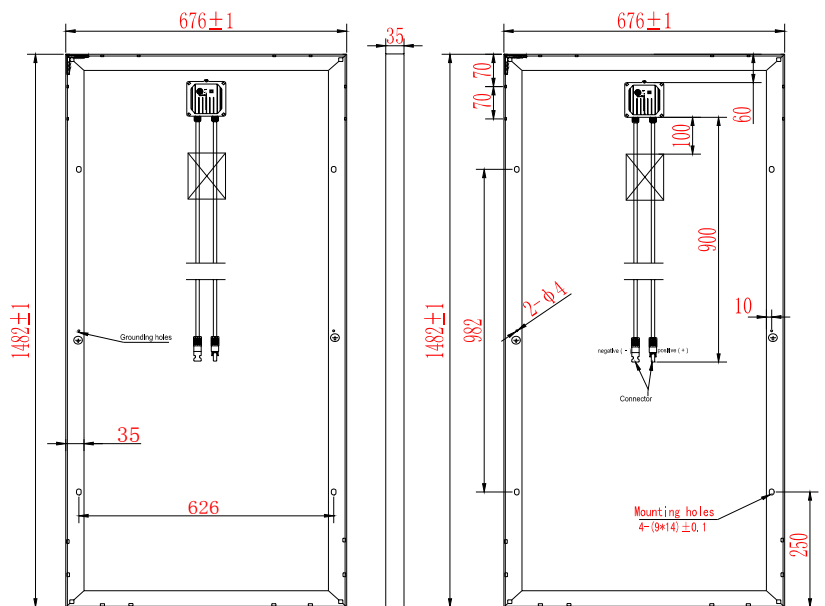
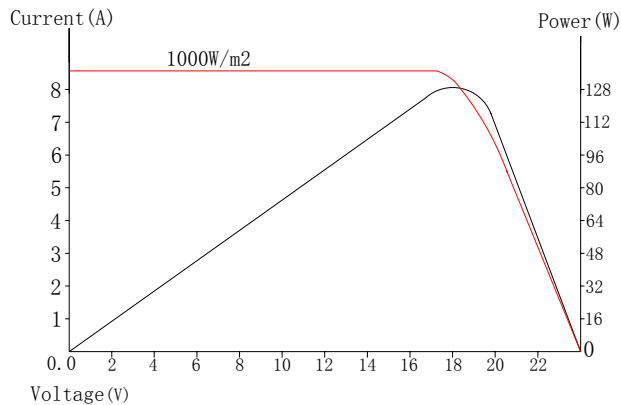
## STS-6M- (110-155) P-36

### POLY CRYSTALLINE SOLAR MODULES 多晶硅太阳能电池

#### ELECTRICAL PARAMETERS 电性能参数

TYPE 型号	STS-6M-110P-36	STS-6M-115P-36	STS-6M-120P-36	STS-6M-125P-36	STS-6M-130P-36	STS-6M-135P-36	STS-6M-140P-36	STS-6M-145P-36	STS-6M-150P-36	STS-6M-155P-36
P <sub>max</sub> (w) 功率	110	115	120	125	130	135	140	145	150	155
(V <sub>oc</sub> /V) 开路电压	21.4	21.5	21.6	21.75	21.9	22.4	22.5	22.6	23.04	23.1
(V <sub>mp</sub> /V) 峰值电压	17.05	17.15	17.25	17.4	17.6	18	18.1	18.13	18.22	18.31
(I <sub>sc</sub> /A) 短路电流	7.13	7.33	7.63	7.83	8.02	8.24	8.44	8.58	8.75	8.94
(I <sub>mp</sub> /A) 峰值电流	6.46	6.71	6.98	7.19	7.39	7.5	7.74	8.0	8.22	8.47
Power Tolerance 公差	±3%									
α I <sub>sc</sub> α 温度系数	+0.04%/°C									
β V <sub>oc</sub> β 温度系数	-0.30%/°C									
γ P <sub>mp</sub> γ 温度系数	-0.44%/°C									
STC 标准测试条件	AM1.5, 1000W/m <sup>2</sup> · 25°C									

#### I-V CURVE 曲线图



Zhejiang Jingshang New Energy Technology Inc.

浙江晶尚新能源科技有限公司

Add: Nanxun Industrial Park, Huzhou, Zhejiang, 313009 China

地址: 浙江省湖州市南浔工业园区

Tel: +86 572 3872111 Fax: +86 572 3872098

E-mail: sales@sts-pv.com Web: <http://www.sts-pv.com>