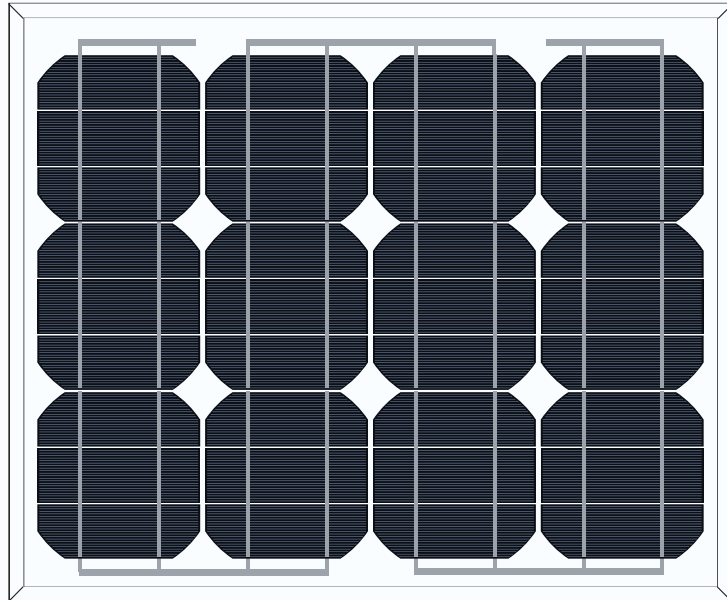


## JST MODULE

JST25M(36) 25W

JST30M(36) 30W

JST35M(36) 35W



High conversion efficiency  
High module efficiency to guarantee power output.



0 to +5W positive tolerance  
Detailed information in Electrical Specifications.



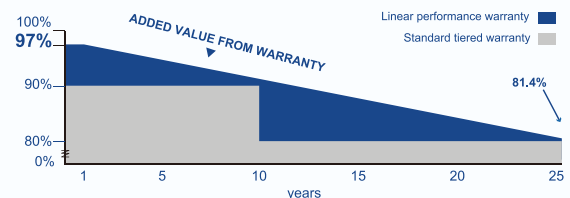
Self-cleaning glass  
Coating glass for self-cleaning, reduce surface dust.



48-hour response service



Outstanding low irradiation performance  
Excellent module efficiency even in the weak light conditions, such as morning or cloudy.



Excellent loading capability  
2400Pa wind loads, 5400Pa snow loads.



25 25-year performance warranty

10 10-year warranty on materials and workmanship

IEC 61215 Ed.2  
IEC 61730  
UL 1703



# JST Solar

## ELECTRICAL DATA

|                                    | JST25M(36) | JST30M(36) | JST35M(36) |
|------------------------------------|------------|------------|------------|
| Model Type                         | JST25M(36) | JST30M(36) | JST35M(36) |
| Peak Power (Pmax)                  | 25W        | 30W        | 35W        |
| Module Efficiency                  | 10.19%     | 12.23%     | 14.27%     |
| Maximum Power Voltage (Vmp)        | 18.0V      | 18.1V      | 18.3V      |
| Maximum Power Current (Imp)        | 1.39A      | 1.65A      | 1.91A      |
| Open Circuit Voltage (Voc) Short   | 21.8V      | 21.9V      | 22.1V      |
| Circuit Current (Isc)              | 1.62A      | 1.91A      | 2.20A      |
| Power Tolerance                    |            | 0 to +5W   |            |
| Maximum System Voltage             |            | 1000V      |            |
| Nominal Operating Cell Temperature |            | 44.4±2°C   |            |
| Maximum Series Fuse Rating         |            | 15A        |            |

## MECHANICAL DATA

|                 |                |
|-----------------|----------------|
| Cell Type       | 125x125mm      |
| Number of Cells | 36 (9x4)       |
| Weight          | 3kg            |
| Dimension       | 450x545x25mm   |
| Max Load        | 5400 Pascals   |
| Junction Box    | IP67 rated MC4 |
| Connector       | Compatible PV  |
| Wire Type       | Wire           |

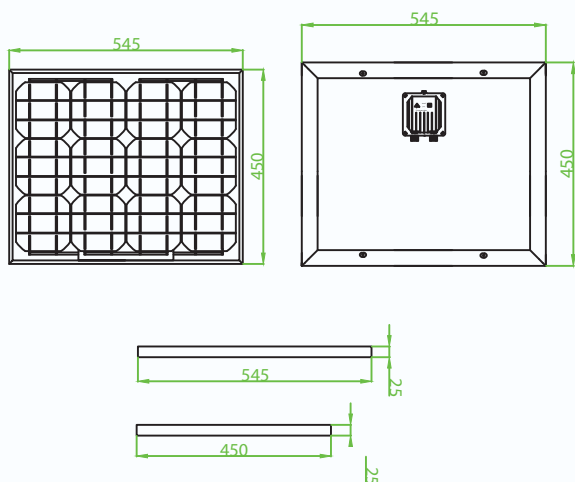
## TEMPERATURE CHARACTERISTICS

|                                |            |
|--------------------------------|------------|
| Temp. Coeff. of Isc (TK Isc)   | 0.04% /°C  |
| Temp. Coeff. of Voc (TK Voc)   | -0.34% /°C |
| Temp. Coeff. of Pmax (TK Pmax) | -0.44% /°C |

## PACKING MANNER

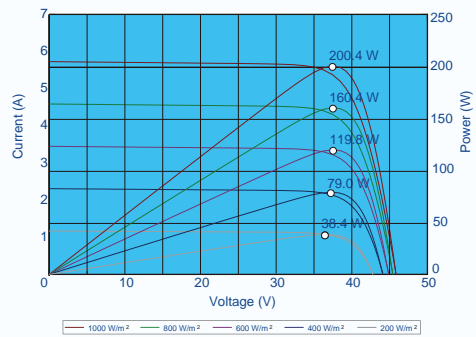
|                      |        |        |
|----------------------|--------|--------|
| Container            | 20' GP | 40' GP |
| Pieces per Pallet    | 26     | 26     |
| Pieces per Container | 1750   | 3500   |

## PHYSICAL CHARACTERISTICS

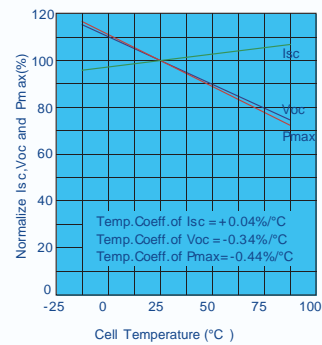


## ELECTRICAL CHARACTERISTICS (Take JST200M for example)

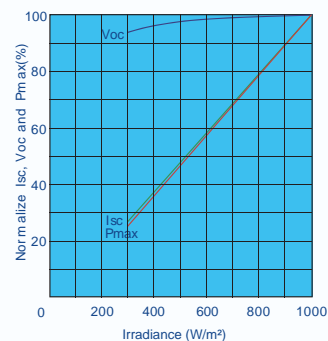
Current-Voltage & Power-Voltage Curve  
(AM1.5, Cell Temperature 25°C)



Temperature Dependence of Isc, Voc and Pmax



Irradiance Dependence of Isc, Voc and Pmax  
(Cell Temperature: 25°C)



Note: the specifications are obtained under the Standard Test Conditions (STCs): 1000W/m<sup>2</sup> solar irradiance, 1.5 Air Mass, and cell temperature of 25°C. The NOCT is obtained under the Test Conditions: 800W/m<sup>2</sup>, 20°C ambient temperature, 1m/s wind speed, AM 1.5 spectrum.

Please contact support@jusolar.com for technical support. The actual transactions will be subject to the contracts. This parameters is for reference only and it is not a part of the contracts. The specifications are subject to change without prior notice.