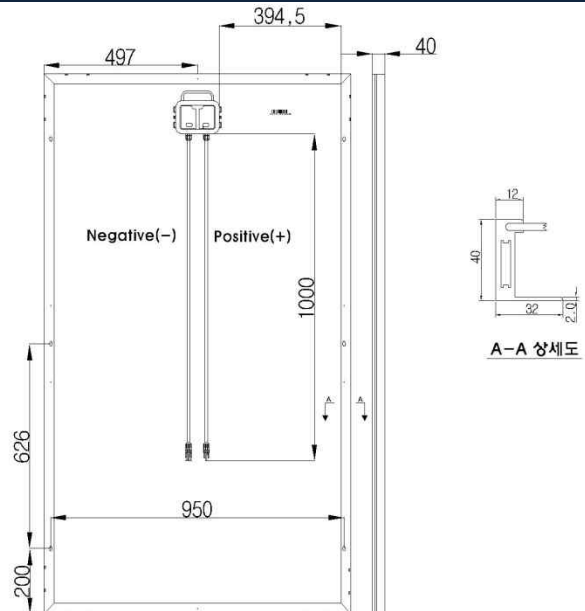
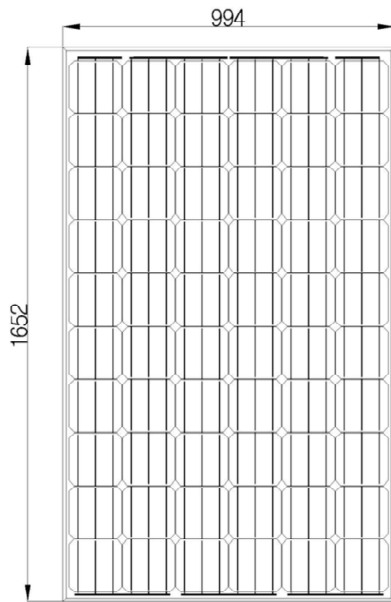


BJ-60Series (Mono Crystalline Photovoltaic Module)



Drawing



[Unit: mm]

Physical characteristics

Cells per Module	60Cells(6×10)
Cell Type	Mono Crystalline
Module Dimension(W×L×H)	994×1,652×40(mm)
Module Weight	20.0kg
Frame	Anodized Aluminum
Front Glass	3.2mm Tempered Glass
Junction Box	IP65, 4sqm

Permissible Operating conditions

Temperature Range	-40 to +90°C
Maximum System Voltage	1,000V DC
Maximum Surface Load Capacity	2,400Pa
Impact Resistance	Hail 25mm at 23m/s

Limited Warranty

- 10 years for product warranty
- 10 years for warranty of 90% power output
- 25 years for warranty of 80% power output

Temperature characteristics

Temperature coefficient of I_{sc}	0.0346%/°C
Temperature coefficient of V_{oc}	-0.328%/°C
Temperature coefficient of Power	-0.469%/°C
NOCT	43 ±2°C

Physical characteristics

Item	Unit	BJP-260SA
Max. Power(Pmax)	W	260.0
Open Circuit Voltage(Voc)	V	38.14
Short Circuit Current(Isc)	A	9.13
Max. Power Voltage(Vmp)	V	31.12
Max. Power Current(Imp)	A	8.36
Module Efficiency(Eff)	%	15.83

*STC(Standard Test Condition): 1000W/m², AM1.5, 25°C