

SPI-60-250P

Solton Power



Positive tolerance

Guaranteed power output with positive tolerance up to 3%.



Smart auto-recognition of weak light performance

Smart light auto-recognition under the condition of low irradiance and hazy light (mornings, evenings and cloudy days).



Steady resistance to strong hailstone, wind and snow loads

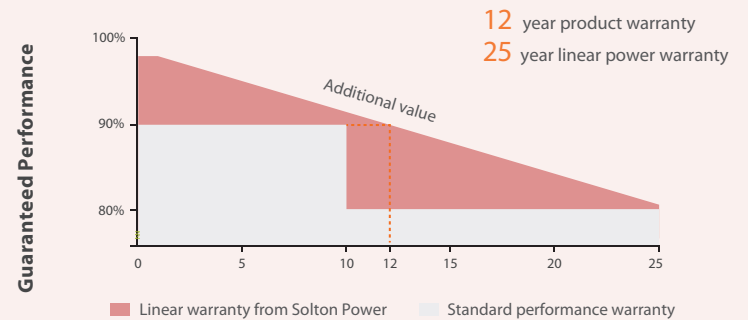
Special frame construction certified to ensure high wind loads(2400pa), snow loads (5400 Pa) and hailstone (40mm/4.5m/s).



Fast delivery

Nationwide network of over 5 warehouses in the United States, ensures the first-time delivery.

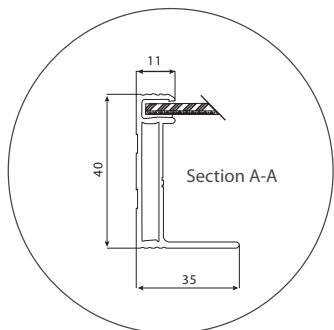
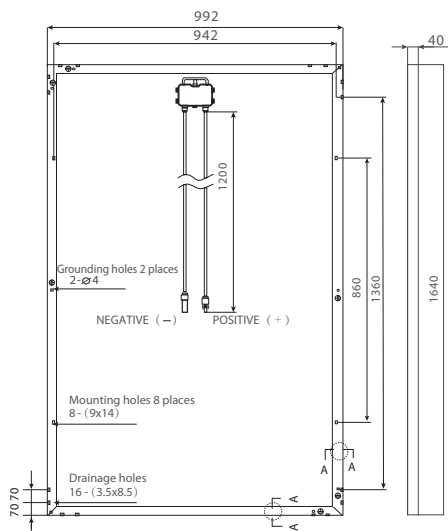
Linear Performance Warranty



SPI-60-250P Solton Power



Unit: mm



Note: Read the Installation Manual before handing, installing and operating Solton Power solar modules.

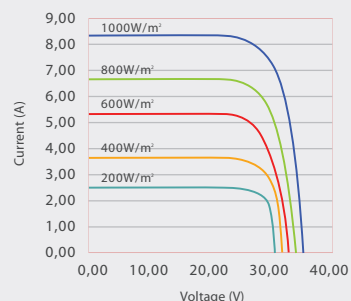
Electrical Data @ STC	SPI-60-240P	SPI-60-245P	SPI-60-250P	SPI-60-255P	SPI-60-260P
Peak Power Watts - P _{MAX} (Wp)	240	245	250	255	260
Nominal Power Voltage - V _{mp} (V)	29.3	29.6	29.9	30.3	30.6
Nominal Power Current - I _{mp} (A)	8.19	8.28	8.36	8.42	8.50
Open Circuit Voltage - V _{oc} (V)	37.4	37.5	37.7	37.8	38.0
Short Circuit Current - I _{sc} (A)	8.78	8.85	8.91	8.97	9.03
Module Efficiency - η _m (%)	14.75	15.06	15.37	15.67	15.98

Values at Standard Test Conditions STC (Air Mass: AM1.5, Irradiance: 1000W/m², Cell Temperature: 25 C).

Electrical Data @ NOCT	SPI-60-240P	SPI-60-245P	SPI-60-250P	SPI-60-255P	SPI-60-260P
Maximum Power - P _{MAX} (W)	175	178	181	184	187
Maximum Power Voltage - V _{mp} (V)	27.7	27.8	27.9	28.0	28.1
Maximum Power Current - I _{mp} (A)	6.32	6.41	6.50	6.58	6.67
Open Circuit Voltage - V _{oc} (V)	34.1	34.2	34.3	34.4	34.5
Short Circuit Current - I _{sc} (A)	6.75	6.83	6.89	6.95	7.02

NOCT: Irradiance at 800W/m², Ambient Temperature 20 C, Wind Speed 1m/s.

I-V Curves of PV Module SPI-60P



Average efficiency reduction of 4.5% at 200W/m²

Temperature Ratings

Nominal Operating Cell Temperature (NOCT)	(45±2) °C
Temperature Coefficient of P _{MAX}	(-0.44) %/°C
Temperature Coefficient of V _{oc}	(-0.30) %/°C
Temperature Coefficient of I _{sc}	(0.04) %/°C

Operating Conditions

Maximum System Voltage	1000Vdc
Max Series Fuse Rating	15A
Operating Temperature Range	-40 C~+90 C
Max. Static Load, Front	5400Pa
Max. Static Load, Back	2400Pa
Max. Hailstone Impact	40mm/4.5m/s

Mechanical Data

Solar Cells	Polycrystalline 156*156 mm (6 inches)
Cells Orientation	60 cells (6*10)
Module Dimension	(1640*992*40)mm or (65*39*1.6)inches
Weight	18KG or 40 lbs
Glass	High transparency and low-iron tempered solar glass 3.2 mm (0.13 inches)
Frame	Anodized aluminum alloy
Junction Box	IP 65 / IP 67 Rated
Cable	Photovoltaic technology cable: 4.0mm ² (0.006 inches ²), 1200mm (47.2 inches)
Connector	MC4 Compatible/IP65 or MC4 Original/IP67

Packaging Configuration

784pcs per 40'HQ

Specifications included in this datasheet are subject to change without notice. All Right Reserved© 2015 Solton Power Inc

Address: 4575 Edison Ave, Chino, CA 91710 U.S.A Tel: 909.345.0694 Fax: 909.597.0469 Email: info@soltonpower.com

