



MSM170-72M MSM175-72M MSM180-72M
MSM185-72M MSM190-72M MSM195-72M

Electrical Specifications

*STC : Irradiance 1000W/m², AM1.5 spectrum, module temperature 25°C

Model type	MSM170-72M	MSM175-72M	MSM180-72M	MSM185-72M	MSM190-72M	MSM195-72M
Peak power (Pmax)	170W	175W	180W	185W	190W	195W
Cell Efficiency	15.80%	16.2%	16.7%	17.2%	17.6%	18.0%
Maximum power voltage (Vmp)	35.5V	35.5V	36V	36V	36.5V	36.5V
Maximum power current (Imp)	4.79A	4.93A	5A	5.14A	5.21A	5.35A
Open circuit voltage (Voc)	43.3V	43.3V	43.9V	43.9V	44.5V	44.5V
Short circuit current (Isc)	5.08A	5.23A	5.3A	5.45A	5.52A	5.77A
Power Tolerance	±3%					
Maximum system voltage	1000VDC					
Series fuse rating (A)	10					
Number of bypass diode	3					

Temperature Coefficients

Current Temperature Coefficient $\alpha(Isc)$ 0.03%/°C
 Voltage Temperature Coefficient $\beta(Voc)$ - 0.32%/°C
 Power Temperature Coefficient $\gamma(Pmax)$ -0.42%/°C

Mechanical Characteristics

Dimensions : 1580 x 808 x 50mm
(62.2x31.81x1.97 inch)
 Weight: 15.5 kg (34.17 lbs)
 Solar Cells: 72 cells in series(6x 12)
 Construction: High-transmission low-iron tempered glass , EVA, TPT
 Frame: Anodized aluminum is mainly for improving corrosion resistance. Color: silver

Output(Optional)

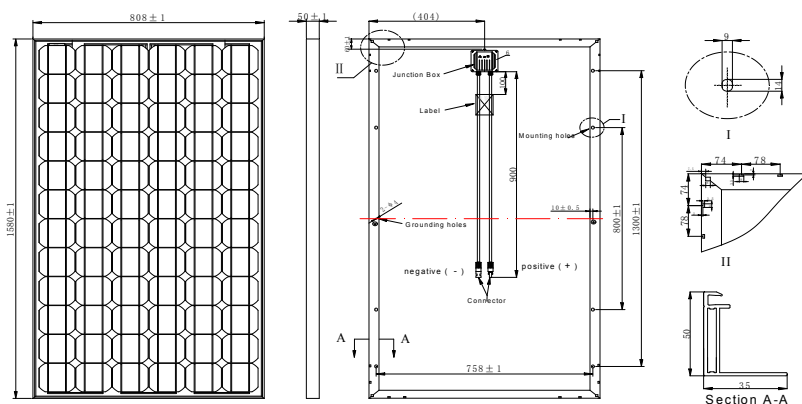
Cable LAPP(4 mm²)
 Lengths 900mm(-) and 900(+)
 MC Plug Type IV

Module Warranty:

25-year limited warranty of 80% power output;
 10-year limited warranty of 90% power output;
 5-year limited warranty of materials and workmanship.

Note: This publication summarizes product warranty and Specifications which are subject to change without notice

Module Diagram



Electrical Performance

