



STAR POWER

Solar Module MSB 25/10/5/2.5

Star Power's MSB series provides a cost-effective & environmental-friendly DC power source ranging from 2.5 W up to 25W. With 36 mono-crystalline cells in series, MSB modules charge efficiently 12V battery in almost any environment. They are ideal for single-module industrial or commercial applications.



Superior Quality

- Every module is fully inspected and tested to ensure compliance of electrical, mechanical and visual requirement
- Highly-transparent and low-iron glass provides great light transmission and protection from tough environment
- Solar cells are encapsulated by layers of EVA and Tedlar backsheet that provide excellent moisture resistance and electrical isolation.

Easy Installation

- Light-weight anodized aluminium frame with SP channel for easy installation
- Special design slot allows easy insertion of mounting bolt into SP channel
- Color coded cable for easy field wiring

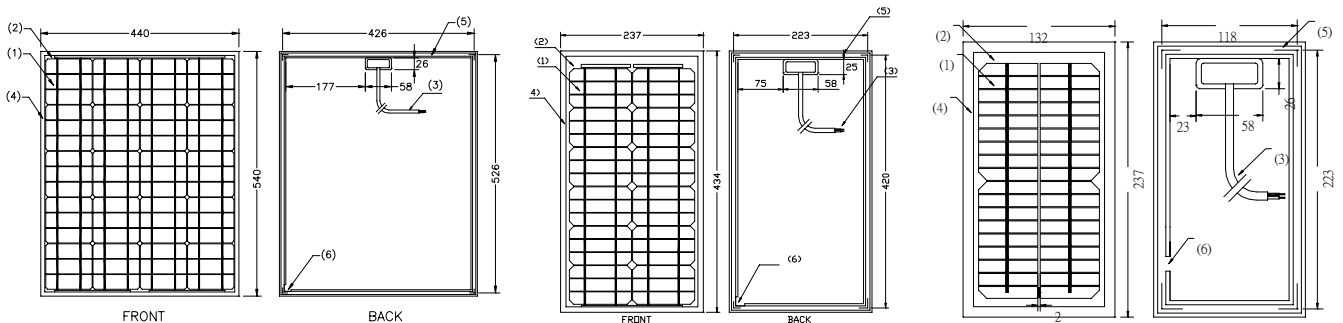
MSB 10 : 10W, 12V, Mono-crystalline Si, Glass/EVA/Tedlar

Electrical Specifications*		MSB25	MSB10	MSB05	MSB2.5
Maximum Power (P_{max})	[W]	25	10	5	2.5
Voltage at P_{max} (V_{mp})	[V]	17	17	17	17
Current at P_{max} (I_{mp})	[A]	1.47	0.57	0.28	0.14
Open-circuit voltage (V_{oc})	[V]	21	21	21	21
Short-circuit current (I_{sc})	[A]	1.60	0.62	0.31	0.15

* These data are based on measurement made in accordance with ASTM E1036-85 corrected to STC (Standard Test Conditions), which are Air Mass AM = 1.5, Irradiance E = 1000 W/m², Cell Temperature $T_c = 25^\circ\text{C}$

Mechanical Specifications		MSB25	MSB10	MSB05	MSB2.5
Outside dimensions (W x H)	[mm]	440 x 540	237 x 434	237 x 237	132 x 237
Thickness	[mm]	20	20	20	20
Weight	[kg]	4.0	1.8	1.1	0.7

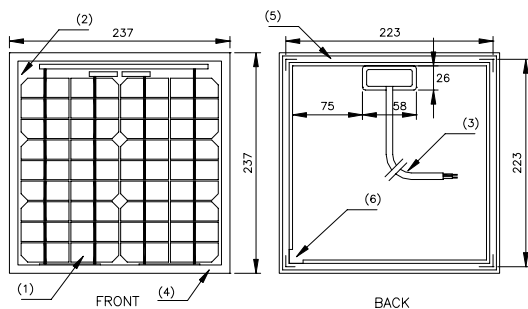
Dimensions



MSB25

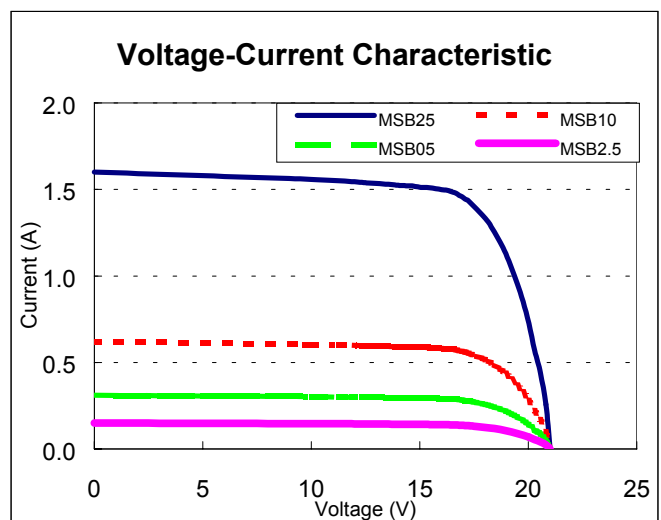
MSB10

MSB2.5



MSB5

- (1) Mono-crystalline Silicon Solar Cell,
- (2) Low-Iron Glass,
- (3) Color coded 14AWG power cable,
- (4) EVA/Tedlar white system,
- (5) Star Power Anodized Aluminium Frame,
- (6) Bolt Insertion Point (M6 is recommended for mounting)



Star Power International Limited

912 Worldwide Industrial Centre,

43 Shan Mei Street, Fotan, Hong Kong

Web site: www.starpower.com.hk

E-mail: info@starpower.com.hk

Tel: 852-2688-5555

Fax: 852-2605-6466