



STAR POWER

Solar Module SLF 25/17

Star Power's SLF series provides a cost-effective & environmental-friendly DC power source ranging from 2.5W up to 25W. With 36 mono-crystalline cells in series, SLF modules charge efficiently 12V battery in almost any environment. Having the fiberglass substrate, SLF is extremely thin and light weight. They are ideal for DC power supply source for industrial or commercial applications.



SLF25 : 25W, 12V, Mono-Crystal, Tedlar/EVA/Fibreglass

Superior Quality

- Every module is fully inspected and tested to ensure compliance of electrical, mechanical and visual requirement
- Clear Tedlar provides good light transmission and protection from cuts and scratching
- Solar cells are encapsulated by layers of EVA and fiberglass provides excellent moisture resistance and electrical isolation

Easy Installation

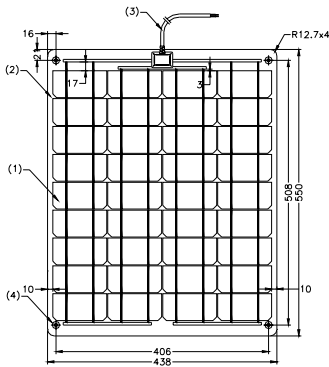
- Ultra-light weight fiberglass make the installation easy
- Color coded cable for easy field wiring

Electrical Specifications*		SLF25	SLF17
Maximum Power (P_{max})	[W]	25	17
Voltage at P_{max} (V_{mp})	[V]	17	17
Current at P_{max} (I_{mp})	[A]	1.45	0.97
Open-circuit voltage (V_{oc})	[V]	21	21
Short-circuit current (I_{sc})	[A]	1.6	1.1

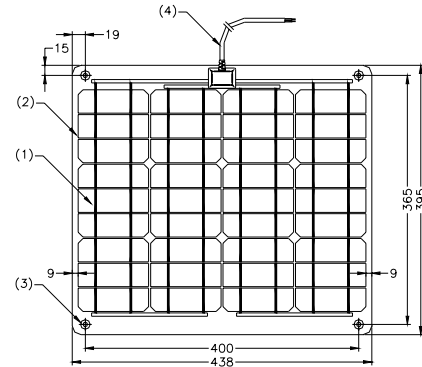
* These data are based on measurement made in accordance with ASTM E1036-85 corrected to STC (Standard Test Conditions), which are Air Mass AM = 1.5, Irradiance E = 1000 W/m², Cell Temperature $T_c = 25^\circ\text{C}$

Mechanical Specifications		SLF25	SLF17
Outside dimensions (W x H)	[mm]	438 x 550	438 x 395
Thickness (With Cable Box)	[mm]	1.6(14)	1.6(14)
Weight	[kg]	2.0	1.6

Dimensions

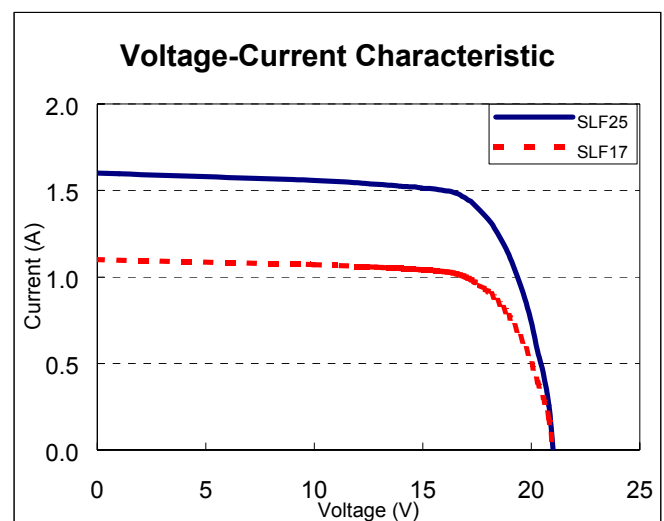


SLF25



SLF17

- (1) Mono-crystalline Silicon Solar Cell
- (2) Clear Tedlar/EVA/Fibreglass system
- (3) Rubber Eyelet, M5 is recommended for mounting
- (4) Color coded 14AWG power cable



Star Power International Limited

912 Worldwide Industrial Centre,

43 Shan Mei Street, Fotan, Hong Kong

Web site: www.starpower.com.hk

E-mail: info@starpower.com.hk

Tel: 852-2688-5555

Fax: 852-2605-6466