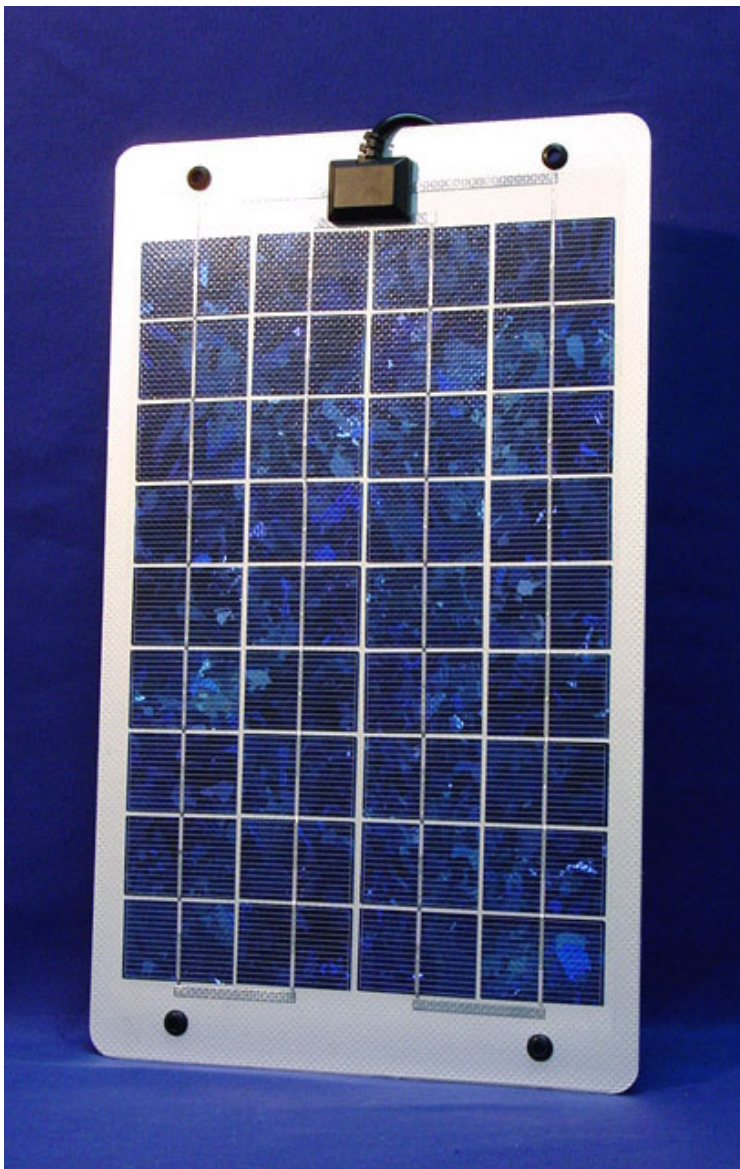




STAR POWER

Solar Module LA 18/10/5

Star Power's LA series provides a cost-effective & environmental-friendly DC power source ranging from 5W up to 18W. With 36 poly-crystalline cells in series, LA modules charge efficiently 12V battery in almost any environment. Having the anodized aluminium substrate, LA modules have benefit of light weight, compactness and ruggedness. They are ideal for 12V DC power source for leisure application.



Superior Quality

- Every module is fully inspected and tested to ensure compliance of electrical, mechanical and visual requirement
- Clear Tedlar provides good light transmission and protection from cuts and scratching
- Solar cells are encapsulated by layers of EVA and aluminium that provide excellent moisture resistance and electrical isolation

Easy Installation

- Light weight and compact aluminium back plate makes the installation easy
- Color coded cable for easy field wiring

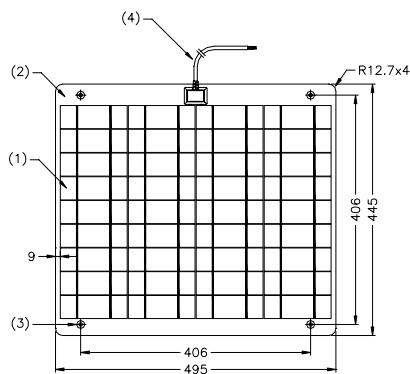
LA10 : 10W, 12V, Poly-Crystal, Tedlar/EVA/Aluminium

Electrical Specifications*		LA18	LA10	LA5
Maximum Power (P_{max})	[W]	18	10	5
Voltage at P_{max} (V_{mp})	[V]	17	17	17
Current at P_{max} (I_{mp})	[A]	1.05	0.57	0.28
Open-circuit voltage (V_{oc})	[V]	21	21	21
Short-circuit current (I_{sc})	[A]	1.16	0.62	0.31

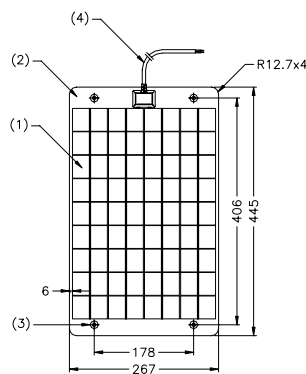
* These data are based on measurement made in accordance with ASTM E1036-85 corrected to STC (Standard Test Conditions), which are Air Mass AM = 1.5, Irradiance E = 1000 W/m², Cell Temperature $T_c = 25^\circ\text{C}$

Mechanical Specifications		LA18	LA10	LA5
Outside dimensions (W x H)	[mm]	495 x 445	267 x 445	267 x 273
Thickness (With Cable Box)	[mm]	0.5 (14)	0.5 (14)	0.5 (14)
Weight	[kg]	2.4	1.2	0.7

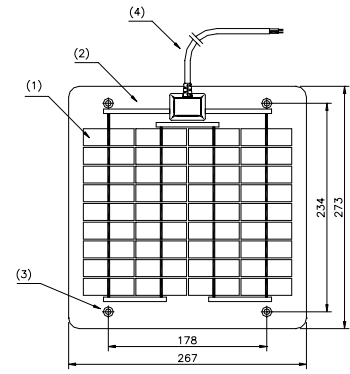
Dimensions



LA18

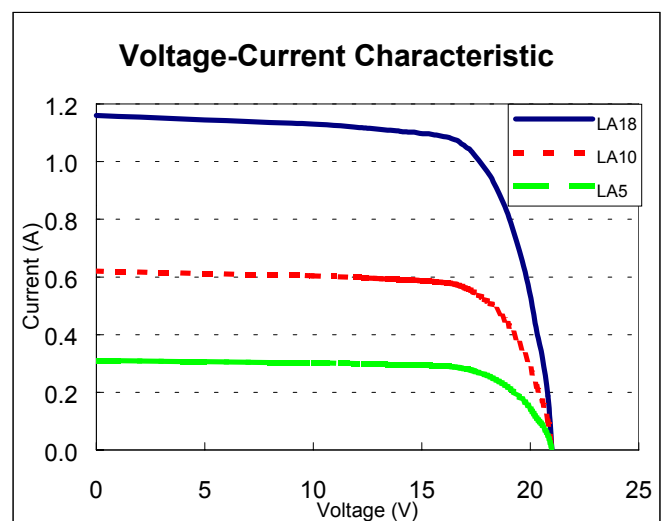


LA10



LA5

- (1) Poly-crystalline Silicon Solar Cell
- (2) Clear Tedlar/EVA/Anodized aluminium system
- (3) Rubber Eyelet, M5 is recommended for mounting
- (4) Color coded 14 AWG power cable



Star Power International Limited

912 Worldwide Industrial Centre,

43 Shan Mei Street, Fotan, Hong Kong

Web site: www.starpower.com.hk

E-mail: info@starpower.com.hk

Tel: 852-2688-5555

Fax: 852-2605-6466