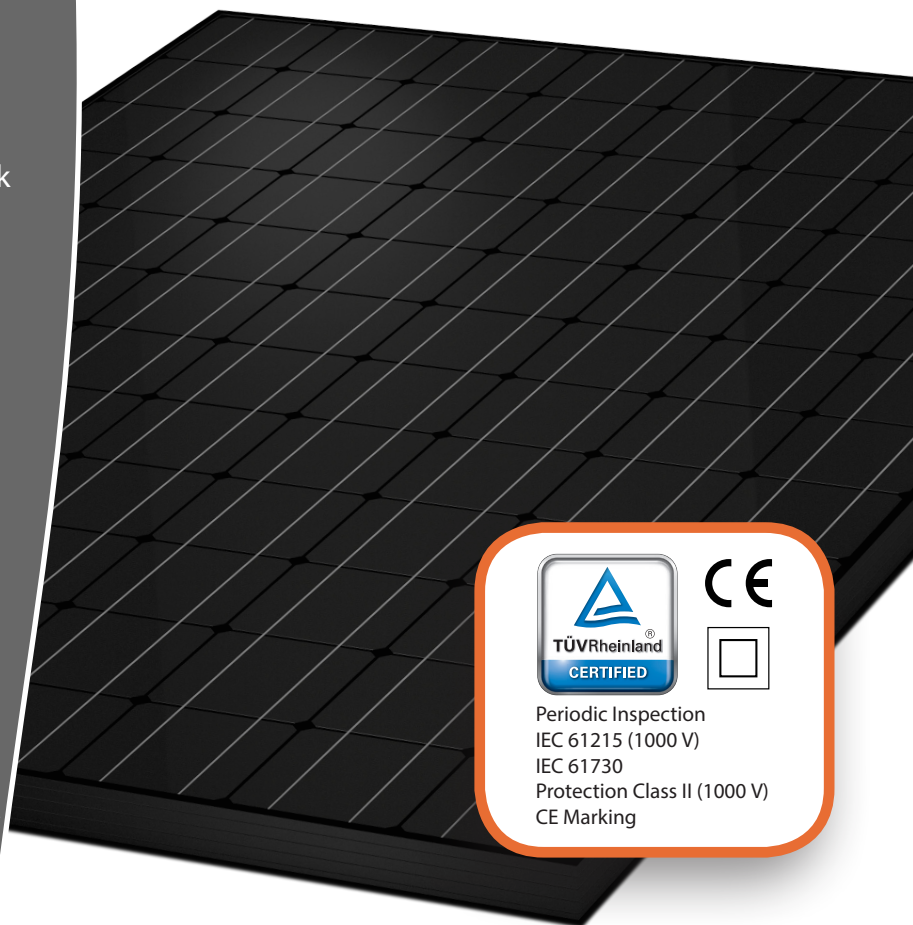


**Product features**

- High-performance photovoltaic modules made of monocrystalline silicon solar cells with module efficiencies of up to 15,8 %
- Bypass diodes which minimise the loss in output when shading occurs
- Use of safety glass for long-term weather protection, EVA plastic, weather protection film, black back foil as well as anodised black aluminium frame
- TÜV-Certified, Protection Class II, CE Marking
- Plus tolerance (0/+3 %)
- 25 years performance guarantee
- 12 years product guarantee

**BLACK EDITION**

SC 255-96M black  
 SC 260-96M black  
 SC 265-96M black




Periodic Inspection  
 IEC 61215 (1000 V)  
 IEC 61730  
 Protection Class II (1000 V)  
 CE Marking



**SunClass® high-performance PV modules**

Whether for your house, your company or your major project: perfected production technologies, using premium materials and employing efficient cells make SunClass solar modules the right choice for every project size.



## Electrical data

Maximum Power (0/+3 %) ( $P_{max}$ )	255 Wp	260 Wp	265 Wp
Voltage at point of max. power ( $V_{mpp}$ )	49,2 V	49,7 V	50,2 V
Current at point of max. power ( $I_{mpp}$ )	5,19 A	5,24 A	5,28 A
Open-circuit voltage ( $V_{oc}$ )	60,2 V	60,4 V	60,6 V
Short-circuit current ( $I_{sc}$ )	5,53 A	5,56 A	5,59 A
Maximum system voltage	1000 V	1000 V	1000 V
Module efficiency ( $\eta_m$ )	15,2 %	15,5 %	15,8 %
STC standard test conditions	Irradiance: 1000 W/m <sup>2</sup> AM: 1,5 Temperature: 25 °C		

## Mechanical data

Length	1580 mm
Width	1066 mm
Height	46 mm
Weight	21 kg
Cable	900 mm / 900 mm (Ø 4mm <sup>2</sup> )
Glass	Tempered-glass (3,2 mm)
Foil	EVA
Backsheet	TPT
Frame	Aluminium anodized
Cell	96 pcs., size: 125 x 125 mm (5")
Junction	IP65 junction box with bypass diodes
Connector	MC-4 compatible

## Temperature coefficients

$\alpha_{Pm}$	- 0,435 % / °C
$\alpha_{Isc}$	+ 0,06 % / °C
$\beta_{Voc}$	- 0,327 % / °C



## Application areas

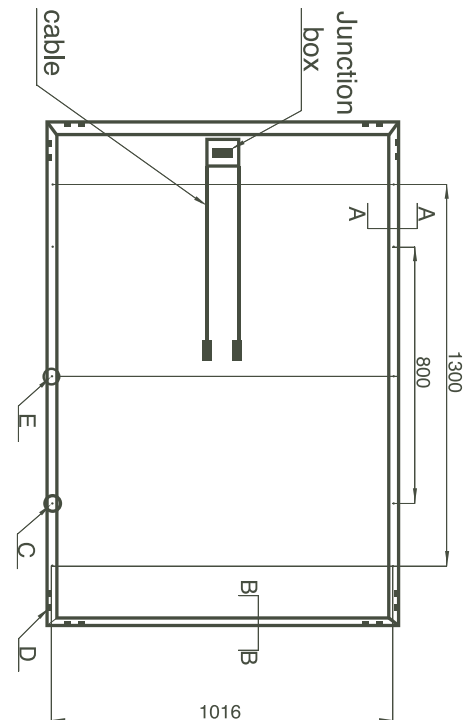
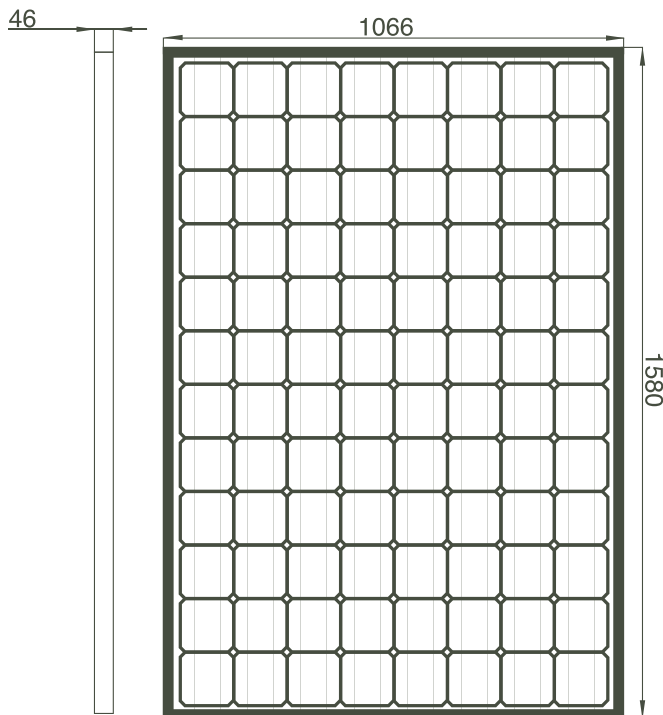
Operating temperature	- 40 °C to + 85 °C
Hail	up to 25 mm hailstone size at 80 km/h
Surface max. stress	540 kg/m <sup>2</sup>

## Guarantee

Product guarantee	12 years
Performance guarantee	10 years for a power output of 90 %, 20 years for a power output of 83 %, 25 years for a power output of 80 %

## Certifications / Qualifications

Periodic Inspection IEC 61215 (1000 V) IEC 61730 Protection Class II (1000 V) CE Marking	 
--	---



Technical specifications as at December 10th 2014, Indemnification: Errors and omissions excepted.