

Photovoltaic Module

Monocrystalline

GS-150M



Quality and Safety

- *Rigorous quality control meeting the highest international standards
- *High-transmissivity low-iron tempered glass, strong aluminium frame Using UV-resistant silicon
- *Safety Class II,conformity to CE

Features

- *Aesthetic appearance with excellent efficiency based on innovative photovoltaic technologies
- *High quality,strong aluminium frame,passing mechanical load testing 5400 Pa and wind pressure 2400Pa

Warranties

- *10 years limited product warranty
- *15 years at90% of the minimal rated power output
- *25 years at80% of the minimal rated power output

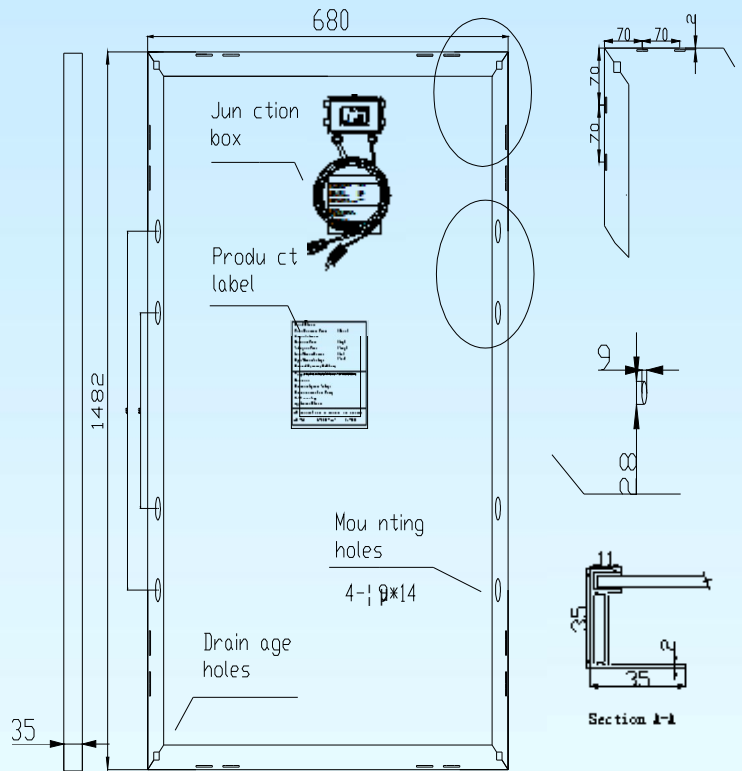
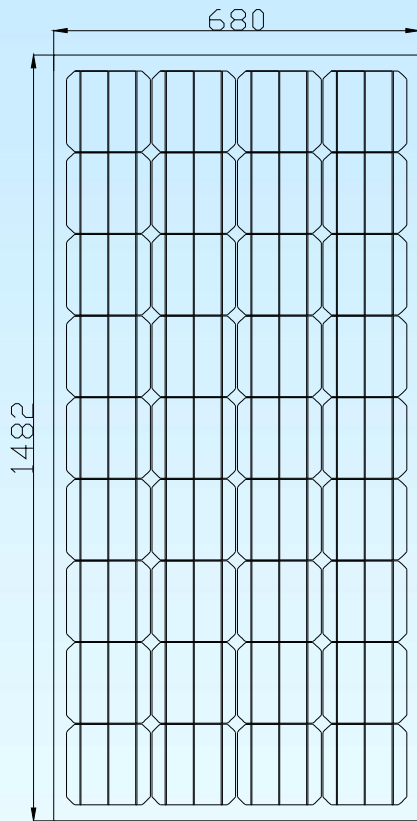
Certificates



Electrical Characteristics

Model	GS-140M	GS-150M	GS-160M
Maximum Power at STC (P _{max})	140W	150W	160W
Optimum Operating Voltage (V _{mp})	17.26V	17.38V	17.52V
Optimum Operating Current (I _{mp})	7.77A	8.93A	9.04A
Open-Circuit Voltage (V _{oc})	21.96V	21.78V	21.78V
Short-Circuit Current (I _{sc})	8.87	9.28A	9.59A
Solar Cell Efficiency (%)	16.8	17.96	19.16
Solar Module Efficiency (%)	13.89	14.88	15.87
Operating Temperature	-40to85°C		
Maximum System Voltage	DC1000		
Maximum Series Fuse Rating	15A		
Power Tolerance	+/-3%		
STC:Irradiance 1000W/m ² ,Modules Temperature 25°C,AM=1.5			

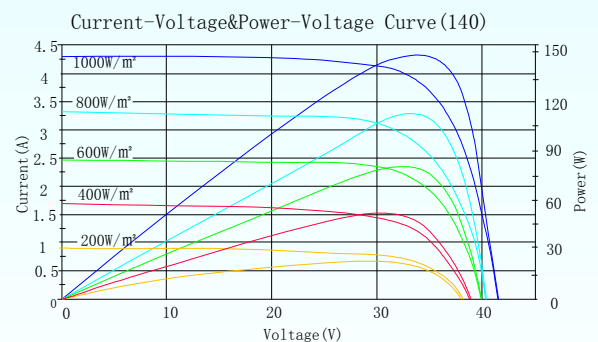
Engineering Drawings



Mechanical Characteristics

Solar cell	Mono-Crystalline 156*156mm
No. of cells	36(4×9)
Dimensions	1482mm*680mm*35mm
Weight	12kg
Front glass	3.2mm tempered glass
Frame	Anodized aluminium alloy
Junction box	PV-LH0808
Connector	Plug and socket
Output cables	PV 2.5mm ² , 0.9m
1*20'	/
1*40'	/
1*40'HQ	/

IV-Curves



Temperature Coefficient

Nominal Operating Cell Temperature (NOCT)	47°C ± 2°C
Temperature Coefficient of P _{max}	-0.47%/K
Temperature Coefficient of V _{OC}	-0.351%/K
Temperature Coefficient of I _{SC}	+0.035%/K