

80W, 85W, 90W Mono-crystalline Solar Panels

Fortune CP Mono-crystalline modules are advanced, utilising mono-crystalline cells with anti-reflective coating. Features include: plug and play connectors, high transmission, tempered glass and bypass diodes protection.

The modules have been designed for both grid and off-grid applications such as large commercial systems, residential systems, telecommunication, and many more.

These modules offer superior performance, larger high efficiency cells, providing superior power density.

Applications

- Grid-tie residential systems
- Power plants/solar farms
- Off-grid home/industrial systems
- Water pumping
- Telecommunication
- Rural Electrification

Performance, Warranties

Rated power : 80W to 90W

Power tolerance : 1.5%

10 year warranty - At least 90% of rated output

25 year warranty - At least 80% of rated output

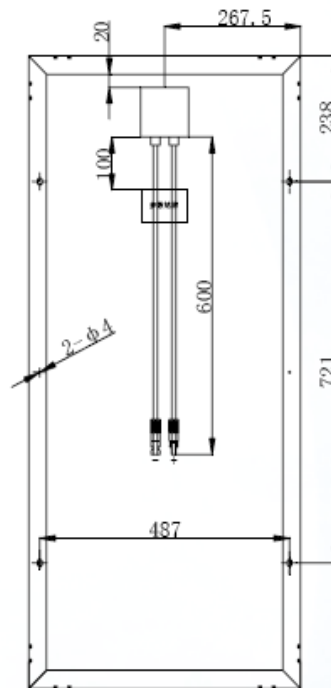
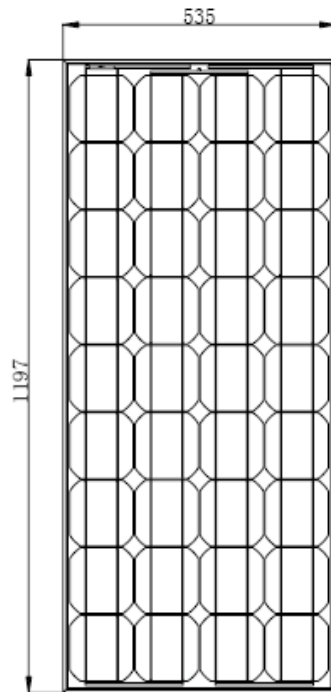
5 years materials and workmanship



SPECIFICATIONS

Module Type		FCSR90M	FCSR85M	FCSR80M
		90W	85W	80W
Maximum Power	Pm(W)	94.9	89.9	84.9
Tolerance	(%)	±1.5	±1.5	±1.5
Open Circuit Voltage	Voc(V)	22.03	21.96	21.82
Short Circuit Current	Isc(A)	5.31	5.06	4.84
Maximum Power Voltage	Vm(V)	18.36	18.22	17.93
Maximum Power Current	Im(A)	4.90	4.67	4.46
Module Efficiency	(%)	13.52	12.77	12.02
Solar Cell Efficiency	(%)	16.87	15.87	14.87
Cell Type	(mm)	125×125 (Mono-Crystalline Silicon)		
Number of Cells	(Pcs)	36		
Maximum System Voltage	(V)	DC1000		
Temp. Coeff. of Voc	(%/°C)	-0.32		
Temp. Coeff. of Isc	(%/°C)	0.03		
Temp. Coeff. of Pm	(%/°C)	-0.47		
Operating Temperature	(°C)	-40 to 85		
Nominal Operating Cell Temperature(NOCT)	(°C)	45±2		
Max.Series Fuse	(A)	10		
Insulation	(MΩ)	50		
Wind Bearing	(Pa)	≤ 5400		
Pressure Bearing	(Pa)	≤ 2400		

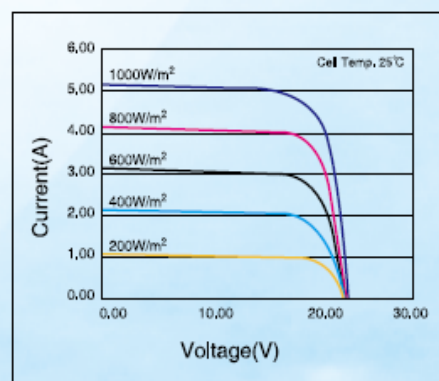
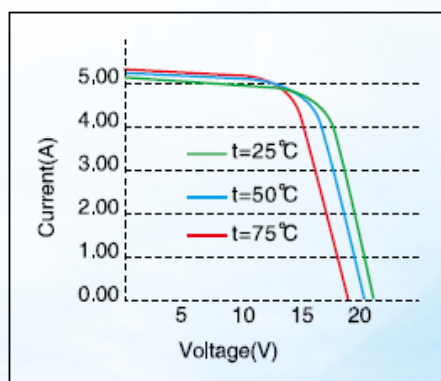
PHYSICAL CHARACTERISTICS Unit:mm



Dimensions	(mm)	1197×535×48
Weight	(kg)	8.8

Packing Configuration	2 pcs/carton
Quantity/Pallet	40 pcs/pallet
Loading Capacity	480 pcs/20ft container
	1080 pcs/40ft container

ELECTRICAL CHARACTERISTICS



Panels are manufactured by a factory with the following certificates



Regus House, Victory Way, Admirals Park
Dartford, DA2 6QD, Kent, UK

Tel: (44)1322303070 Fax: (44)1322303072

Email: sales@fortunecp.co.uk

Websites: www.fortunecp.co.uk, www.solar2renewableenergy.com