

# EasyBIPV MODULE POLYCRYSTALLINE

Eco  
Series

**EasyBIPV®**

the clever way of mounting  
photovoltaics

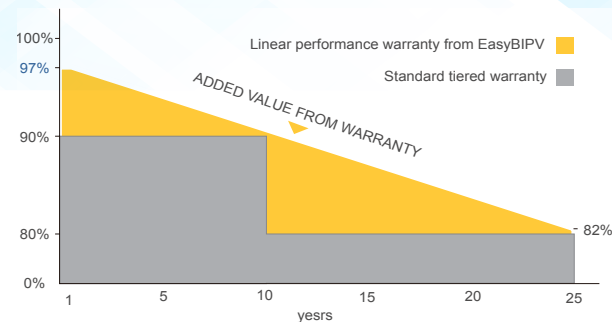
**ECO 230/60 230Wp • ECO 235/60 235Wp**  
**ECO 240/60 240Wp • ECO 245/60 245Wp**  
**ECO 250/60 250Wp**

## Features

- Cost-effective standard solar modules for skylight, roofing and facades applications
- 0 to +3% positive tolerance for mainstream products
- Withstand high wind loads and snow loads (5400Pa)
- Anti-reflective highly transparent, low iron tempered glass
- Whole black and frame features aesthetic appearance (Option)
- Transmission rate 3.18%

## Benefits

- 25-year linear performance warranty; 12-year warranty on materials and workmanship
- Product liability insurance  
48 hour-response service
- Enhanced design for easy installation and long-term reliability



EasyBIPV Aps  
Skagerrakvej 8 2150 Copenhagen Denmark  
Company number 31880432

www.easybipv.com  
Phone : +4536960575  
Email: info@easybipv.com

# EasyBIPV MODULE POLYCRYSTALLINE

Eco Series

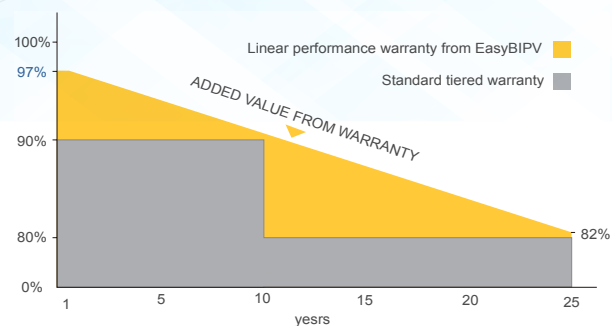
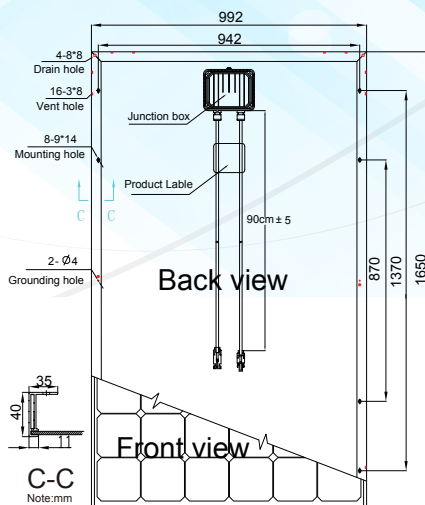
# EasyBIPV®

the clever way of mounting  
photovoltaics

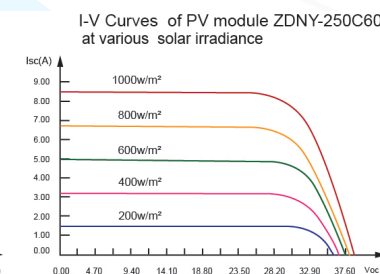
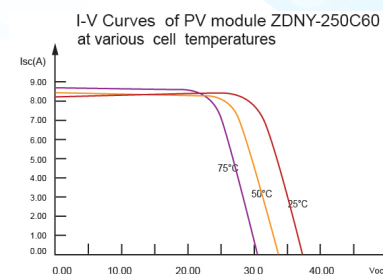
## Typical electrical characteristics

Characteristics	ECO 230/60	ECO 235/60	ECO 240/60	ECO 245/60	ECO 250/60
Max.Power(Pmax)	230Wp	235Wp	240Wp	245Wp	250Wp
Optimum Operating Voltage(Vm)	29.28V	29.78V	30.20V	30.25V	30.76V
Optimum Operating Current(I <sub>m</sub> )	7.87A	7.90A	7.96A	8.10A	8.13A
Open-circuit Voltage(V <sub>oc</sub> )	37.20V	37.45V	37.70V	37.73V	37.75V
Short-circuit Current(I <sub>sc</sub> )	8.29A	8.35A	8.38A	8.55A	8.55A
Cell Efficiency	15.8%	16.1%	16.4%	16.80%	17.10%
Module Efficiency	14.1%	14.4%	14.7%	15.0%	15.3%

Note: the specifications are obtained under the Standard Test Condition(STC):1000 W/m<sup>2</sup> solar irradiance, AM1.5, Cell Temperature 25 °C .



Solar Cell	Poly-crystalline 156*156mm
Output Tolerance	(Pmax) 0 ~ +3%
Number of cells	60 cells in series
Module Dimension	1650*992*40mm
Weight	19.5kg
Max.System Voltage	1000V(TUV)/600V(UL)
Max.Series Fuse Rating	15A
Output Cable	PV 4mm <sup>2</sup>
Cable Length	90cm±5
Number of bypass diodes	6
Temperature cycling range	(-40 ~ 85°C )
NOCT	47°C ±2°C
Temperature coefficients of I <sub>sc</sub>	+(0.053±0.01)%/K
Temperature coefficients of V <sub>oc</sub>	-(0.35±0.001)%/K
Temperature coefficients of P <sub>max</sub>	-(0.40±0.05)%/K
Load Capacity	285 pcs/20'GP 756 pcs/40'HQ



EasyBIPV Aps  
Skagerrakvej 8 2150 Copenhagen Denmark  
Company number 31880432

www.easybipv.com  
Phone : +4536960575  
Email:info@easybipv.com