

# HIGHWAY Solar Module

## HT60-156M-4BB-265W/270W

### Key Features

Cell Efficiency **19.6%** Power Output **270 W**

Reliable State-owned Enterprise  
Deliver Solar Power since 1960s

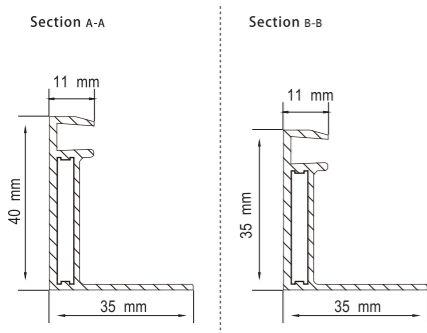
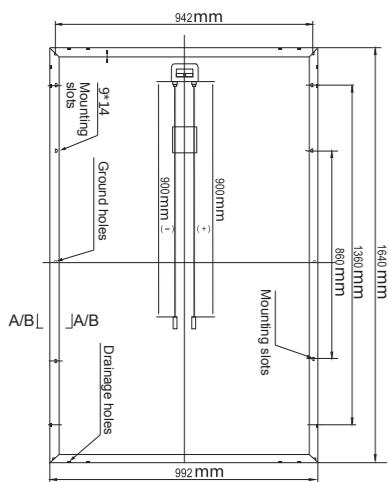
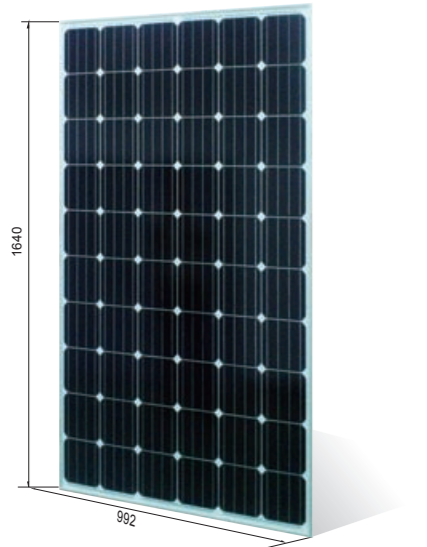


Shanghai Aerospace Automobile  
Electromechanical Co., Ltd

Warranty on Materials  
and Workmanship **10 YEARS**

Warranty on  
Power Output **25 YEARS**

5



Shorter current transmission path

Less SOLAR CELL'S series resistance

PID (potential induced degradation) Resistant

All HT modules are double EL tested avoiding invisible cracks, dark cells and broken bars to ensure the performance, quality and reliability.

Independent international authentication certified.

HT-SAAE guarantees highest production standards: IEC 61215, IEC 61730, IEC 62716 (Ammonia corrosion) & IEC 61701 (Salt Mist Corrosion)



Higher module's output power

Guaranteed positive tolerance 0/+5w ensures power output reliability

Excellent performance under low light environments (mornings, evenings and cloudy days)

All the modules are sorted and packaged by amperage, reducing mismatch losses and maximizing system output.

Entire module certified to withstand extreme wind (2400 Pa) and snow loads (5400 Pa)

Strict quality control, meeting the highest international standards: ISO 9001, ISO14001 and OHSAS18001



6

### Electrical Characteristics

Module	HT60-156M-4BB-265	HT60-156M-4BB-270
Maximum Power at STC(Pmax)	265W	270W
Open-Circuit Voltage(Voc)	38.0V	38.2V
Optimum Operating Voltage (Vmp)	31.2V	31.6V
Short-Circuit Current(Isc)	9.11A	9.18A
Optimum Operating Current(Imp)	8.50A	8.55A
Module Efficiency	16.3%	16.6%
Power Tolerance	0 ~ +5W	
Maximum System Voltage	1000V DC (IEC) / 600V DC(UL)	
Maximum Series Fuse Rating	15A	
Operating Temperature	-40 °C to +85 °C	

STC: Irradiance 1000W/m<sup>2</sup>, module temperature 25, AM=1.5  
Optional black frame or white frame module according to customer requirements

Module	HT60-156M-4BB-265	HT60-156M-4BB-270
Maximum Power	194W	197W
Open Circuit Voltage (Voc)	34.4V	34.6V
Maximum Power Voltage (Vmp)	28.2V	28.6V
Short Circuit Current (Isc)	7.36A	7.41A
Maximum Circuit Current (Imp)	6.86A	6.90A
NOCT	45 °C ± 2 °C	

NOCT : Irradiance 800W/m<sup>2</sup>, ambient temperature 20°C, wind speed 1 m/s

### Mechanical Characteristics

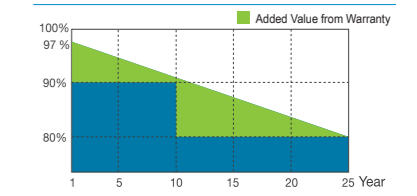
Solar Cells	Monocrystalline 156 × 156mm
No. of Cells	60 (6 × 10)
Dimensions	1640 × 992 × 40/35mm (64.6 × 39 × 1.57/1.38in)
Weight	19/18.5kg (41.9/40.8lbs)
Front Glass	High transmission tempered glass
Frame	Anodized aluminium alloy
Junction Box	IP67 / IP65 3 diodes
Cable	4mm <sup>2</sup> (IEC)/12AWG(UL), 900mm
Connectors	MC4/MC4 Comparable
Module Pieces per Container (40' High Cube Container)	700/784pcs (Varies depending on the size)

### Temperature Characteristics

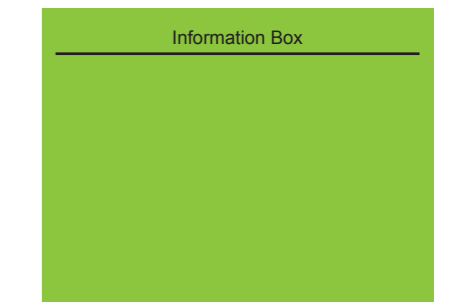
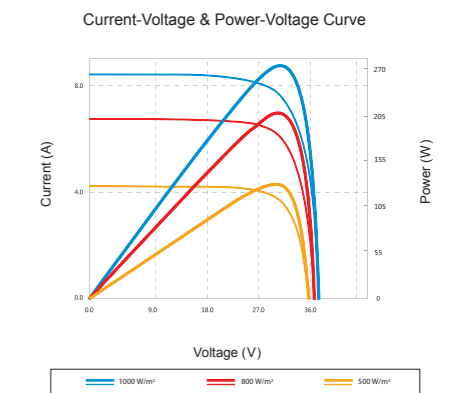
Temperature Coefficient of Pmax	γ (Pm)	-0.41%/K
Temperature Coefficient of Voc	β (Voc)	-0.34%/K
Temperature Coefficient of Isc	α (Isc)	0.049%/K

### Warranty

- 10-year product warranty
- 25-year warranty on power output
- Specific information is referred to the product quality guarantee



### I-V Curves



\* Copyright@1504A Specifications are subject to change without further notification