



# OGRE

energy



## 10 WATT SOLAR PANEL

### Features:

- Extra heavy gauge aluminum frame, designed for ease of mounting and durability
- Industry leading quality, manufactured with advanced encapsulation process
- 36 highly efficient polycrystalline cells
- Engineered for off-grid applications with conversion efficiencies >14%
- Junction box is rain tight and has four 1/2" conduit or cable fitting knock-outs

Electrical Specifications:	OGRE P010-J12
Max Power	10 Watts
Max Power Voltage	17.6V Vmp
Max Power Current	0.58 Imp
Open Circuit Voltage	21.7 Voc
Short Circuit Current	.62 Isc
Maximum System Voltage	70V
Series Fuse Rating	5A
Temperature Co-Efficients	
Power	-0.47%/K
Voltage	-0.351%/K
Current	+0.035%/K
Cell Efficiency	14.30%
Number of Cells in Series	36
Cell Type	Poly
Number of Strings in Parallel	1
Max Power Tolerance	+/- 5%

Mechanical Characteristics:	
Weight	2.6 lbs
Dimension	10.8 x15.7 in.
Thickness, including junction box	2.13 in.
Frame-aluminum	>10µm anodized

### 25 Year Limited Warranty\*

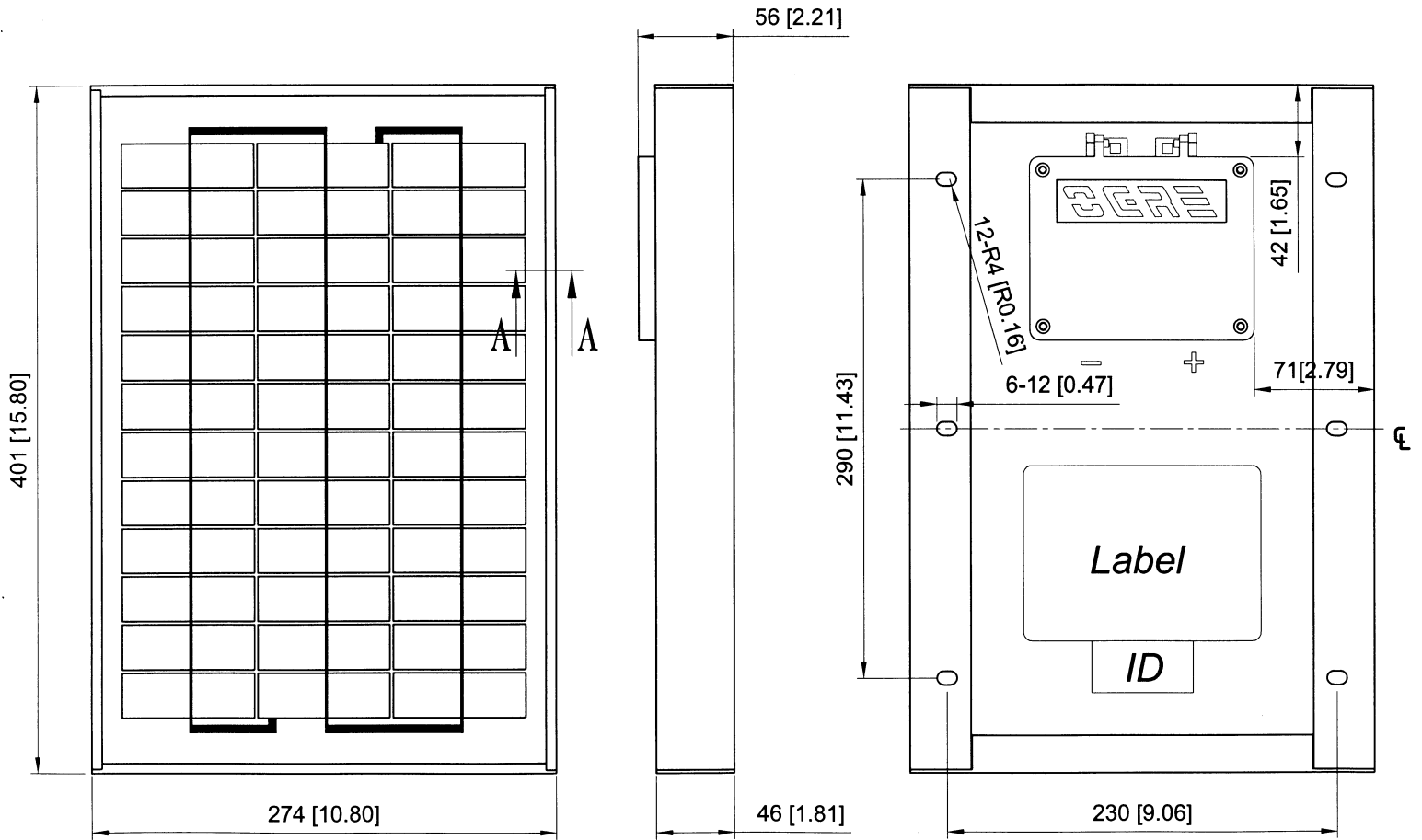
- 80% power output
- 10-year limited warranty of 90% power output
- 5-year limited warranty of materials and workmanship

\*Refer to OGRE's warranty document for terms and conditions

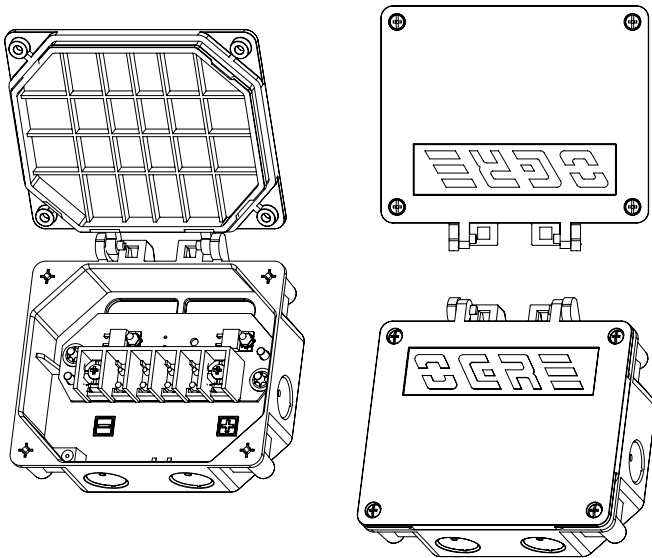
### Certifications

- *FM Approvals:*
  - Class 1, Division 2
  - Groups A, B, C, D
  - Hazardous Locations Type IP65, T5 @ Ta = -40°C to +90°C
- Manufactured in ISO 9001 certified factory

# 10 WATT SOLAR PANEL



## Junction Box



## Cross Section

