



90 WATT SOLAR PANEL

Features:

- Extra heavy gauge aluminum frame, designed for ease of mounting and durability.
- Industry leading quality, manufactured with advanced encapsulation process.
- Highly efficient back-contact monocrystalline cells.
- Engineered for off-grid applications with conversion efficiencies 20%.
- 32 high efficiency cells vs. the competitors' 36 cells.
- One square foot smaller than other manufacturers' 90 watt modules.
- Junction box is rain tight and has four 1/2" conduit or cable fitting knock-outs.

Electrical Specifications:	OGRE B090-J12
Max Power	90 Watts
Max Power Voltage	17.0 Vmp
Max Power Current	5.30 Imp
Open Circuit Voltage	20.4 Voc
Short Circuit Current	5.92 Isc
Maximum System Voltage	70 V
Series Fuse Rating	9 A
Temperature Co-Efficients	
Power	-0.38%/C
Voltage	-58.7mV/C
Current	5.3mA/C
Cell Efficiency	19.70%
Number of Cells in Series	32
Cell Type	BC Mono
Number of Strings in Parallel	1
Max Power Tolerance	+/- 5%

Mechanical Characteristics:	
Weight	17.6 lbs
Dimension	21.9 x41.3 in.
Thickness, including junction box	2.13 in.
Frame-aluminum	>10µm anodized

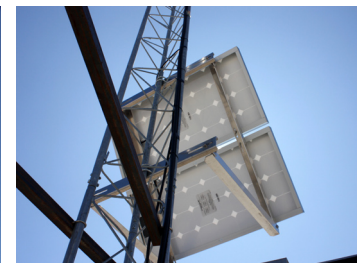
25 Year Limited Warranty*

- 80% power output
- 10-year limited warranty of 90% power output
- 5-year limited warranty of materials and workmanship

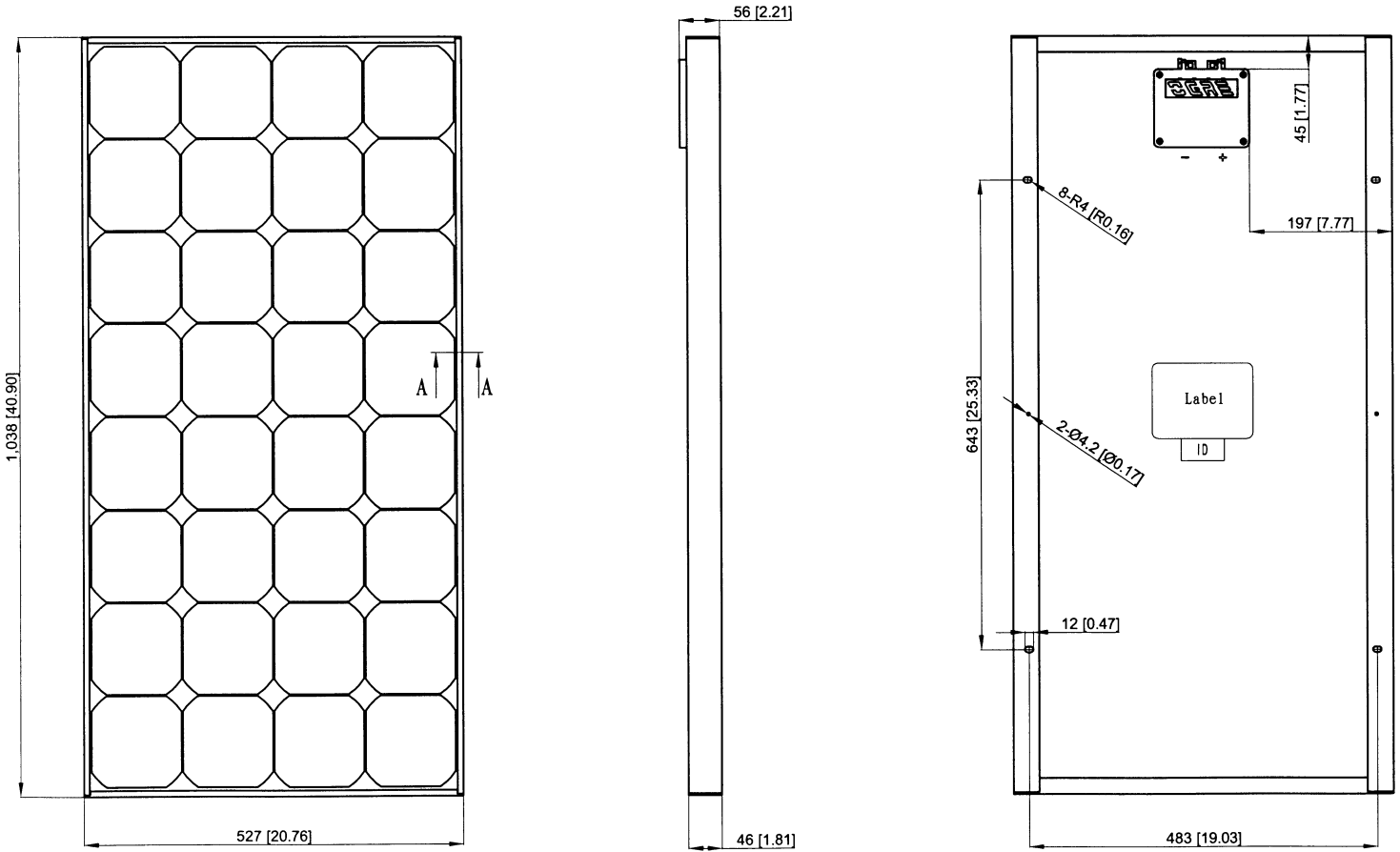
*Refer to OGRE's warranty document for terms and conditions

Certifications

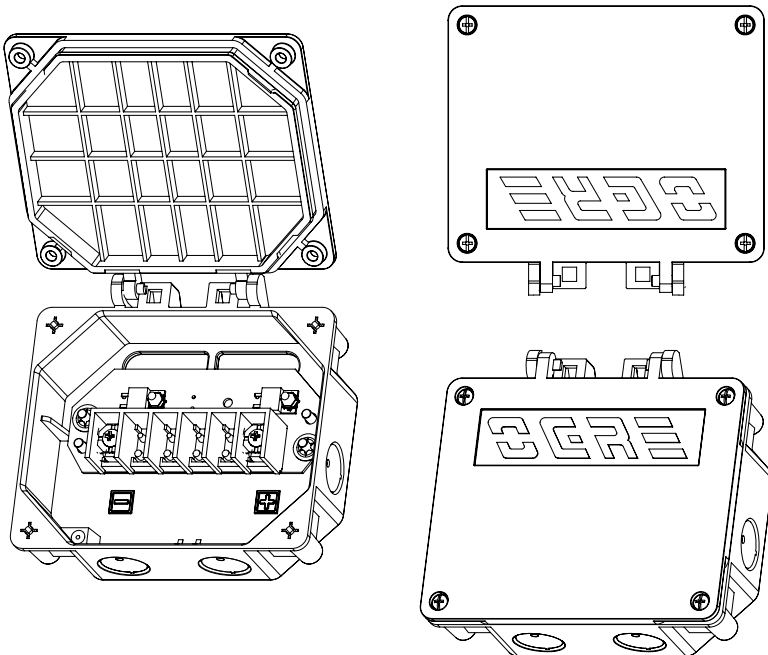
- *FM Approvals:*
 - Class 1, Division 2
 - Groups A, B, C, D
 - Hazardous Locations Type IP65, T5 @ Ta = -40°C to +90°C
- Manufactured in ISO 9001 certified factory



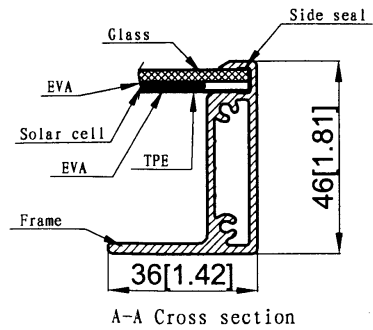
90 WATT OGRE SOLAR PANEL



Junction Box



Cross Section



A-A Cross section

