



**TENKA<sup>®</sup>**  
solar

PHOTOVOLTAIC SYSTEMS

## POLY CRYSTALLINE MODULE 230-255 Watt

### KEY FEATURES



Our solar cells offer high conversion efficiency to ensure the highest quality

Our high performing modules have an industry low tolerance of + 5%

The modules can withstand high wind-pressure, snow loads and extreme temperatures

Passed IEC 5400 Pa mechanical loading test

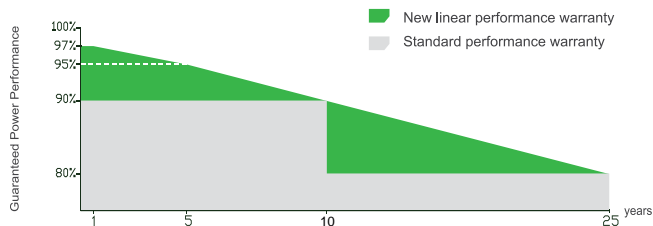
### QUALITY & SAFETY

Industry leading power output warranty

(10 years/90%, 25 years/80%)

10-year warranty on materials & workmanship (optional)

#### Premium Performance Warranty



\* Based on customer requirements and contract terms

ISO9001:2008, ISO14001:2004, OHSAS18001 certified factory  
IEC61215, IEC61730 certified products



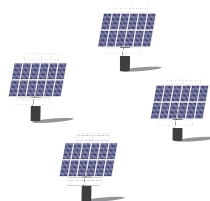
### APPLICATIONS



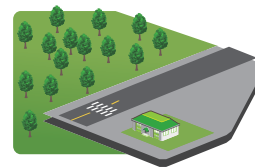
On-grid residential roof-tops



On-grid commercial/  
industrial roof-tops

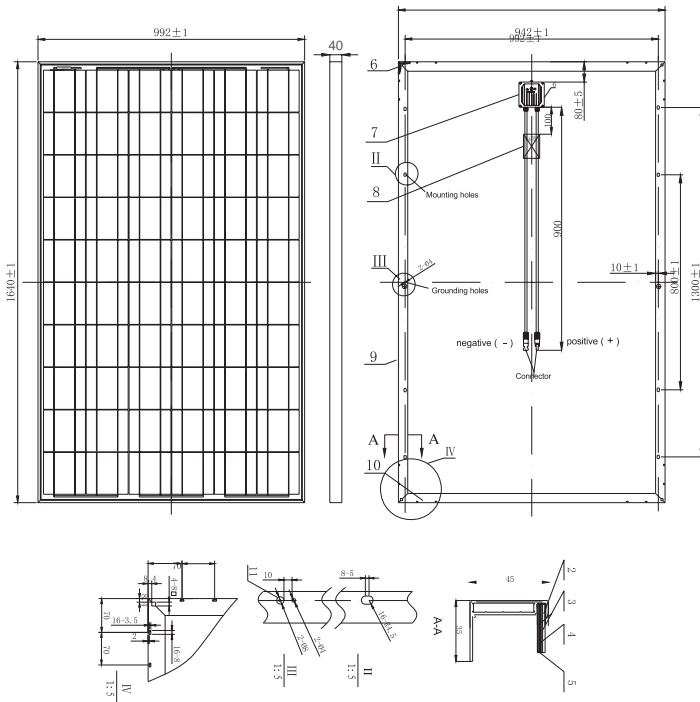


Solar power plants



Off-grid systems

## Engineering Drawings



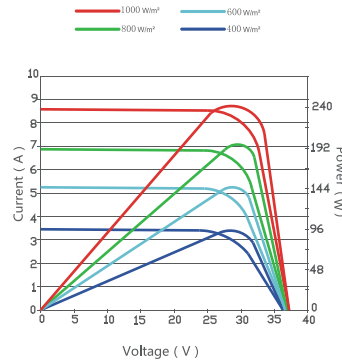
## Packaging Configuration

(Two boxes=One pallet)

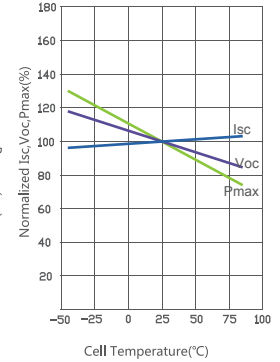
25pcs/ box, 50pcs/pallet, 700 pcs/40'HQ Container

## Electrical Performance & Temperature Dependence

### Current-Voltage & Power-Voltage Curves (240W)



### Temperature Dependence of Isc, Voc, Pmax



## Mechanical Characteristics

Cell Type	Poly-crystalline 156×156mm (6 inch)
No.of cells	60 (6×10)
Dimensions	1640×992×40mm (64.97×39.06×1.57 inch)
Weight	18.5kg (40.8 lbs.)
Front Glass	3.2mm, High Transmission, Low Iron, Tempered Glass
Frame	Anodized Aluminium Alloy
Junction Box	IP65 Rated
Output Cables	TÜV 1×4.0mm <sup>2</sup> / UL 12AWG, Length:900mm

## SPECIFICATIONS

Module Type	TKA230W-60P	TKA235W-60P	TKA240W-60P	TKA245W-60P	TKA250W-60P	TKA255W-60P
Maximum Power at STC(Pmax)	230Wp	235Wp	240Wp	245Wp	250Wp	255Wp
Maximum Power Voltage (Vmp)	29.6V	29.8V	30.0V	30.2V	30.4V	30.5V
Maximum Power Current (Imp)	7.78A	7.89A	8.01A	8.12A	8.22A	8.36A
Open-circuit Voltage (Voc)	36.8V	36.9V	37.2V	37.4V	37.6V	37.8V
Short-circuit Current (Isc)	8.35A	8.47A	8.56A	8.69A	8.82A	9.02A
Module Efficiency(%)	14.05%	14.35%	14.66%	14.97%	15.27%	15.67%
Operating Temperature(°C)	-40°C~+85°C					
Maximum system voltage	1000V (IEC) DC					
Maximum series fuse rating	15A					
Power tolerance	+5%					
Temperature coefficients of Pmax	-0.45%/°C					
Temperature coefficients of Voc	-0.27%/°C					
Temperature coefficients of Isc	0.05%/°C					
Nominal operating cell temperature (NOCT)	45±2°C					

STC: Irradiance 1000W/m<sup>2</sup>



Module Temperature 25°C



AM=1.5

\* Power measurement tolerance: + 5%